

# DB01-410-01 SPECIFICATIONS

**MATERIAL:**

.063" AL 2024-T3 MEETING AMS-QQ-A-250/5

**FINISH:**

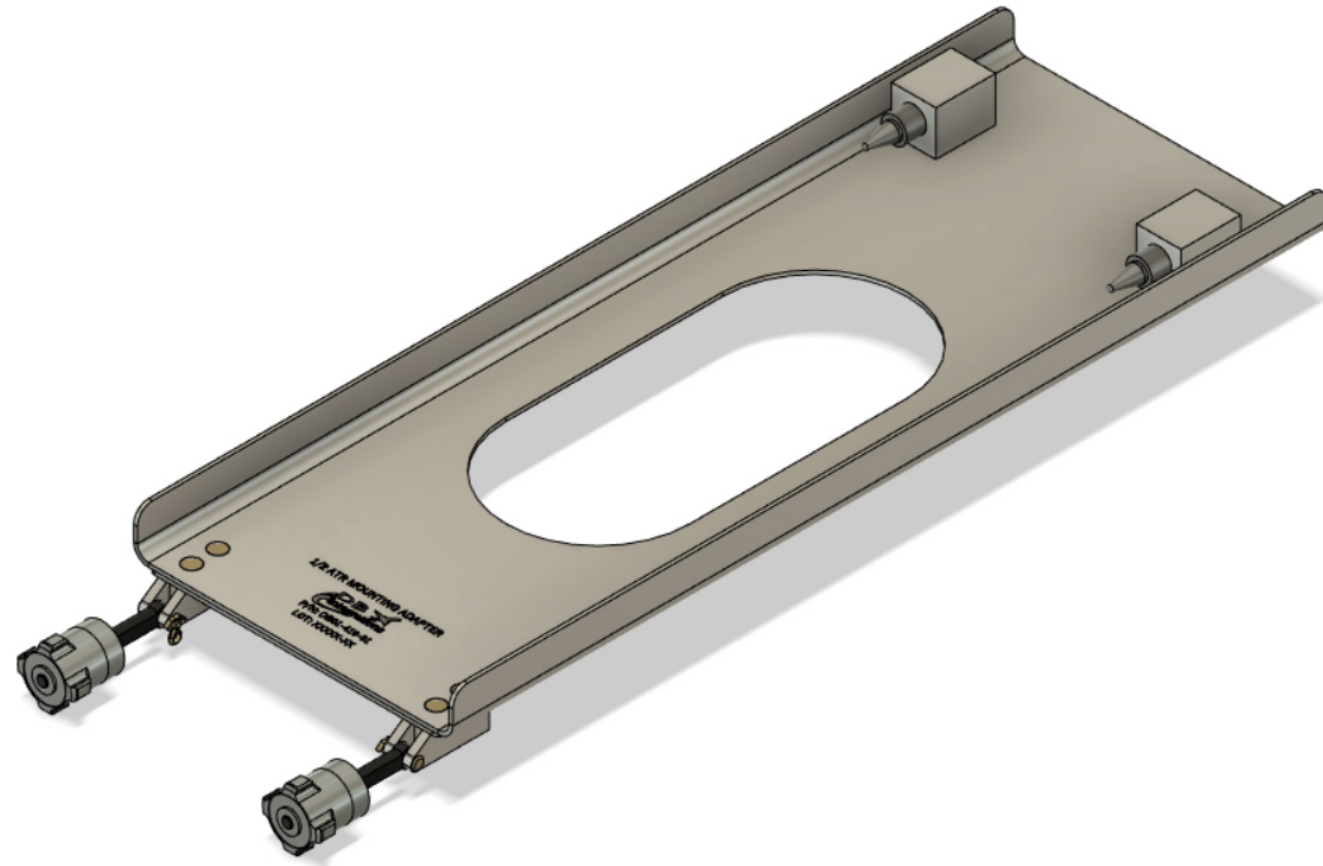
CONVERSION COATING PER MIL-DTL-81706

**DESIGN:**

- MODIFIED 1/2 ATR ARINC 404A TRAY
- FLOATING GUIDE PINS FOR SECURE AND EVEN LRU MOUNTING
- LOCKING LRU HOLD-DOWNS PER M85731
- MOUNTING HOLES NOT DRILLED
- ADAPTER WEIGHT: 1.2 LBS

**SUPPORT:**

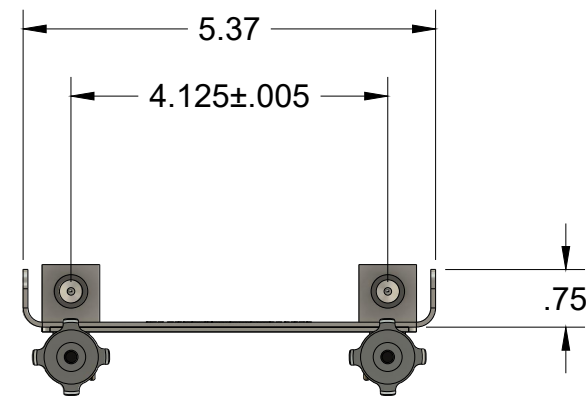
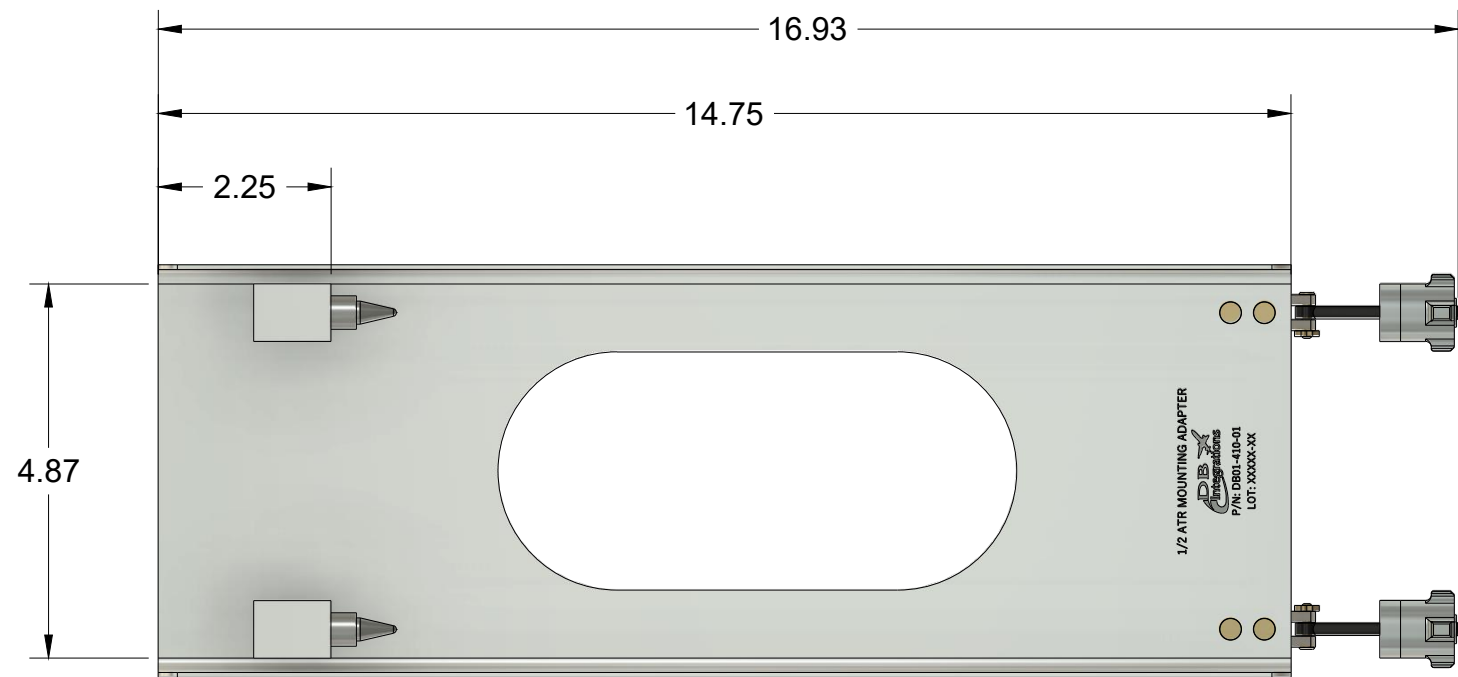
3D MODELING AVAILABLE




REV	REVISION DESCRIPTION	DATE	BY
0	INITIAL RELEASE	03/29/23	NJS

TOLERANCES: X = ± 1.000  
 .X = ± 0.100  
 .XX = ± 0.030  
 .XXX = ± 0.010  
 ANGLES = ± 2.000  
 FRACTION = ± 1/32

PROJECT: 1/2 ATR TRAY OVERVIEW	<b>DB Integrations</b> LEHIGH VALLEY, PA
APPROVED: <i>Noah Schultz</i>	NOAH SCHULTZ
TITLE: DB01-410-01 OUTLINE DRAWING	SHEET: 1/2
DRAWING NO: 230329003	REV: 0



# DB01-410-01 OVERVIEW

PROJECT: 1/2 ATR TRAY OVERVIEW		 LEHIGH VALLEY, PA	
APPROVED: SEE SHEET 1			
TITLE: DB01-410-01 OUTLINE DRAWING		SHEET: 2/2	
DRAWING NO: 230329003		REV: 0	