

DB01-409-01 SPECIFICATIONS

MATERIAL:

TRAY: .063" AL 2024-T3 MEETING AMS-QQ-A-250/5

PLENUM: 1" AL 6061-T6511 MEETING AMS-QQ-A-200/8

FINISH:

CONVERSION COATING PER MIL-DTL-81706

DESIGN:

MODIFIED 1/2 ATR ARINC 404A TRAY

FLOATING GUIDE PINS FOR SECURE AND EVEN LRU MOUNTING

LOCKING LRU HOLD-DOWNS PER M85731

MOUNTING HOLES NOT DRILLED

ADAPTER WEIGHT: 3.0 LBS (ESTIMATE)

SUPPORT:

3D MODELING AVAILABLE

FAN INFORMATION:

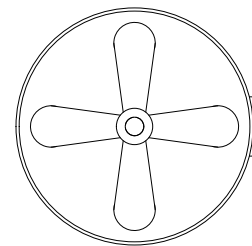
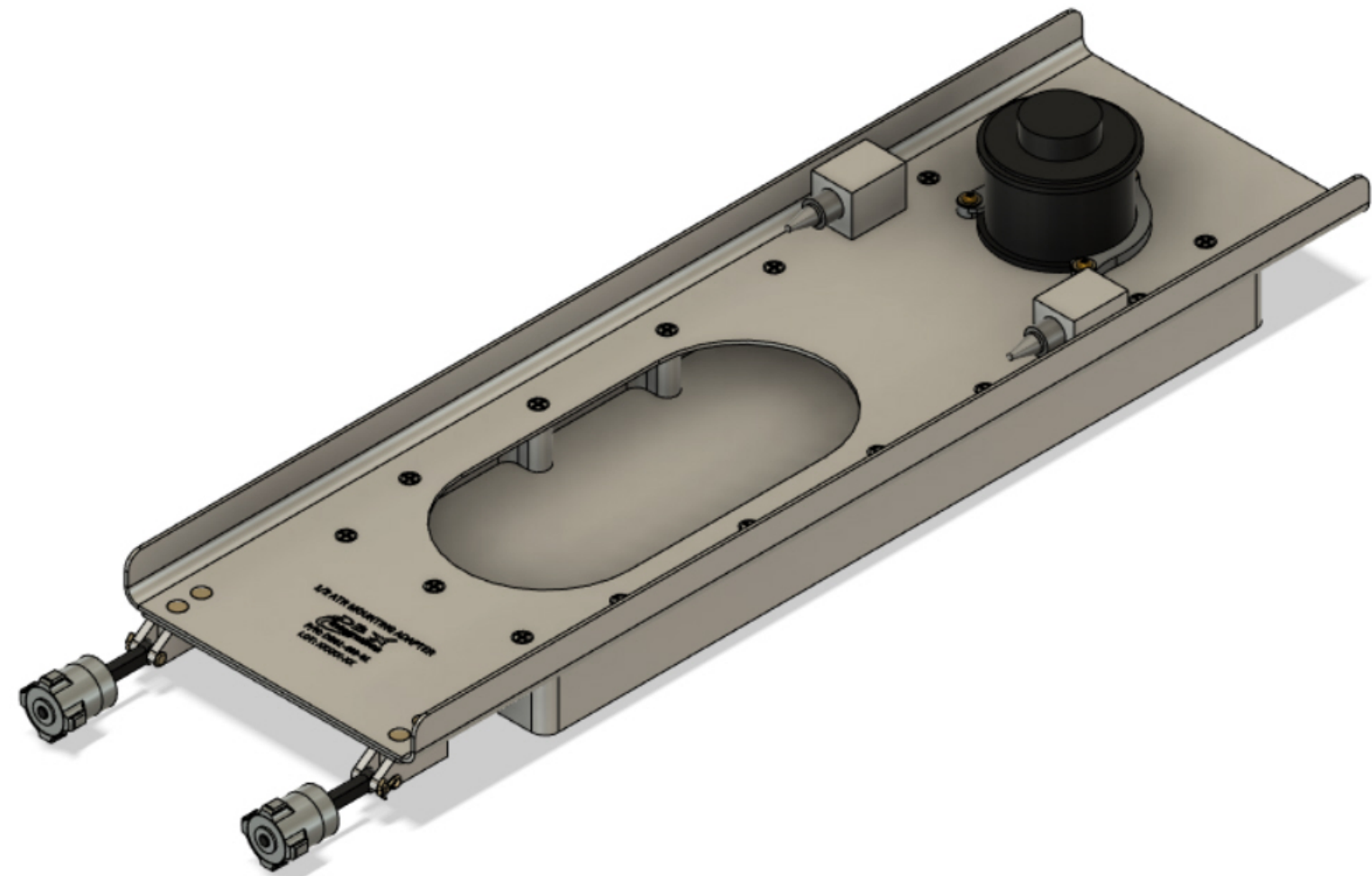
P/N: 00-85001375-001

SPECIFICATIONS: 23CFM, 28VDC, 0.23A NOMINAL
INTERFACE: BUILT-IN +20" M22759 LEADS

ALT P/N: 00001109

SPECIFICATIONS: 53 CFM, 28VDC, 1.55A NOMINAL
INTERFACE: BUILT-IN +20" M22759 LEADS

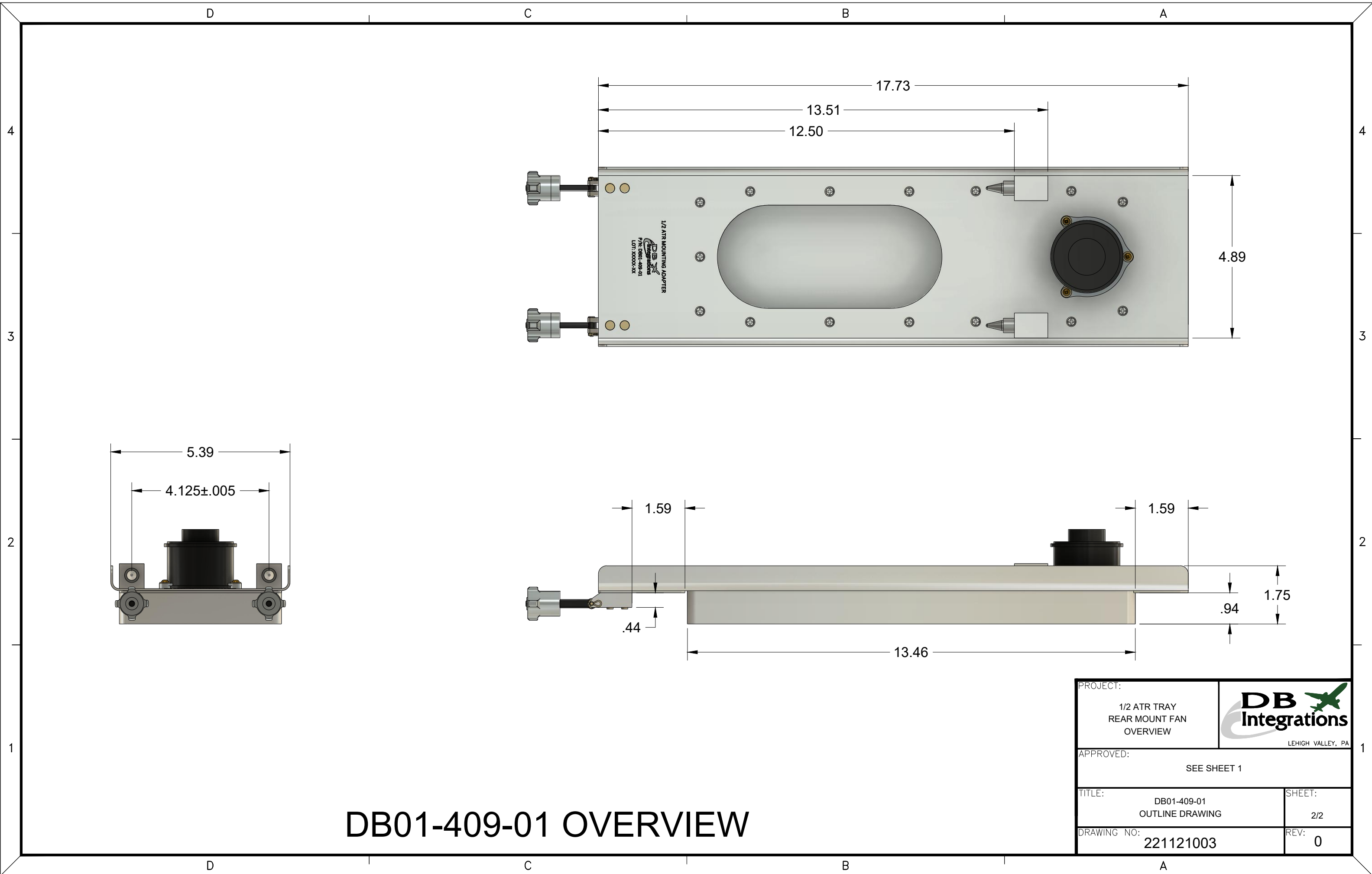
REV	REVISION DESCRIPTION	DATE	BY
0	INITIAL RELEASE	12/16/22	NJS



BROWN ———— FPS SIGNAL
 BLACK ———— 28VDC RETURN
 RED ———— 28VDC POWER

TOLERANCES: X = ± 1.000
 .X = ± 0.100
 .XX = ± 0.030
 .XXX = ± 0.010
 ANGLES = ± 2.000
 FRACTION = ± 1/32

PROJECT: 1/2 ATR TRAY REAR MOUNT FAN OVERVIEW		 LEHIGH VALLEY, PA
APPROVED: <i>Brandon Jacobsen</i> BRANDON JACOBSEN		
TITLE: DB01-409-01 OUTLINE DRAWING	SHEET: 1/2	
DRAWING NO: 221121003	REV: 0	



D

C

B

A

4

4

3

3

2

2

1

1

17.73
13.51
12.50


4.89

1/2 ATR MOUNTING ADAPTER
P/N: DB01-409-01
LOT: XXXXXX-XX

5.39
4.125±.005

1.59
1.59
.44
13.46
.94
1.75

DB01-409-01 OVERVIEW

PROJECT: 1/2 ATR TRAY REAR MOUNT FAN OVERVIEW		 LEHIGH VALLEY, PA
APPROVED: SEE SHEET 1		
TITLE: DB01-409-01 OUTLINE DRAWING	SHEET: 2/2	
DRAWING NO: 221121003	REV: 0	

D

C

B

A