

DB01-402-01 SPECIFICATIONS

MATERIAL:

TRAY: 0.063" ALCLAD 2024-T3 MEETING AMS-QQ-A-250/5
 PLENUM: 1" 6061-T6511 MEETING AMS-QQ-A-200/8

FINISH:

CONVERSION COATING PER MIL-DTL-81706

DESIGN:

4MCU DIMENSIONS PER ARINC 600
 FAN INCLUDED, SEE BELOW
 SILICONE GASKET INCLUDED
 SOLID RIVETED CONSTRUCTION
 SINGLE PIECE MILLED ALUMINUM PLENUM
 MOUNTING HOLES NOT DRILLED
 LOCKING LRU HOLD-DOWN PER M85731
 WEIGHT: 3.2 POUNDS

ENVIRONMENTAL:

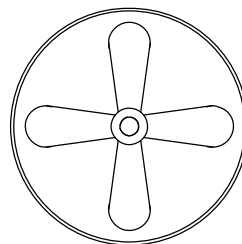
ALTITUDE PER DO-160, SECTION 4, CATEGORY F2 (55,000 FEET)
 TEMPERATURE PER DO-160, SECTION 5, CATEGORY A (-55° C TO +85° C)
 HUMIDITY PER DO-160, SECTION 6, CATEGORY C
 OPERATIONAL SHOCK AND CRASH SAFETY PER DO-160, SECTION 7, CATEGORY A AND B (20G)
 (HELICOPTER AND FIXED WING)
 STATIC LOAD PER PART 25 AND 29 CATEGORIES, 10.0KG LRU
 VIBRATION PER DO-160, SECTION 8, CATEGORY R, CURVE C1
 VIBRATION PER DO-160, SECTION 8, CATEGORY S, CURVE B3
 VIBRATION PER DO-160, SECTION 8, CATEGORY U2, CURVES F AND F1
 FLUIDS SUSCEPTIBILITY TESTED PER DO-160, SECTION 11, CATEGORY F
 SKYDROL, CALLA 800, SAE AMS1424 TYPE 1, SAE AMS 1435C,
 CALLINGTON HAVEN 1-SHOT, HALON 1211
 SAND AND DUST PER DO-160, SECTION 12, CATEGORY D (DUST)
 SALT SPRAY PER DO-160, SECTION 14, CATEGORY S
 FUNGUS PER DO-160, SECTION 13, CATEGORY F
 ICING PER DO-160, SECTION 24, CATEGORY C (.5" HARD ICE)
 FIRE AND FLAMMABILITY PER DO-160, SECTION 26, CATEGORY C

SUPPORT:

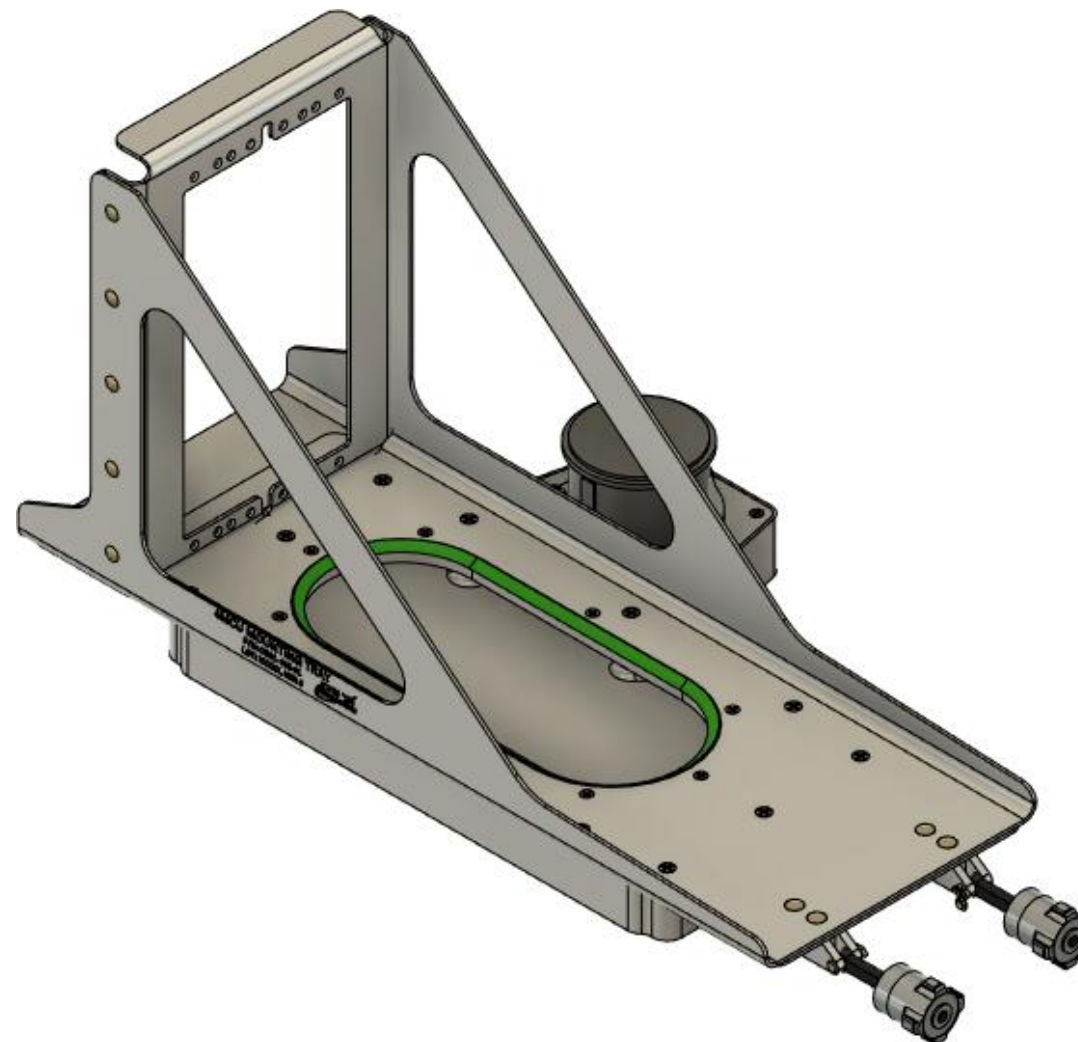
3D MODELING AVAILABLE

FAN INFORMATION:

P/N: 011372000
 FAN SPECIFICATIONS: 55CFM, 28VDC, 1.5 NOMINAL AMPS, 72.8DBA
 FAN INTERFACE: BUILT-IN +12" M22759 LEADS
 P/N: 00001109
 FAN SPECIFICATIONS: 53CFM, 28VDC, 1.55 NOMINAL AMPS, 85DBA
 FAN INTERFACE: BUILT-IN +12" NF C 93-523 LEADS



BROWN ———— FPS SIGNAL
 BLACK ———— 28VDC RETURN
 RED ———— 28VDC POWER



REV	REVISION DESCRIPTION	DATE	BY
0	INITIAL RELEASE, HARDWARE VERSION 0	05/13/21	BSJ
1	CHANGES PER ECR_210324001_V0, REMAINS HARDWARE VERSION 0	05/16/24	BSJ

TOLERANCES: X = ± 1.000 .X = ± 0.100 .XX = ± 0.030 .XXX = ± 0.010 ANGLES = ± 2.000 FRACTION = ± 1/32

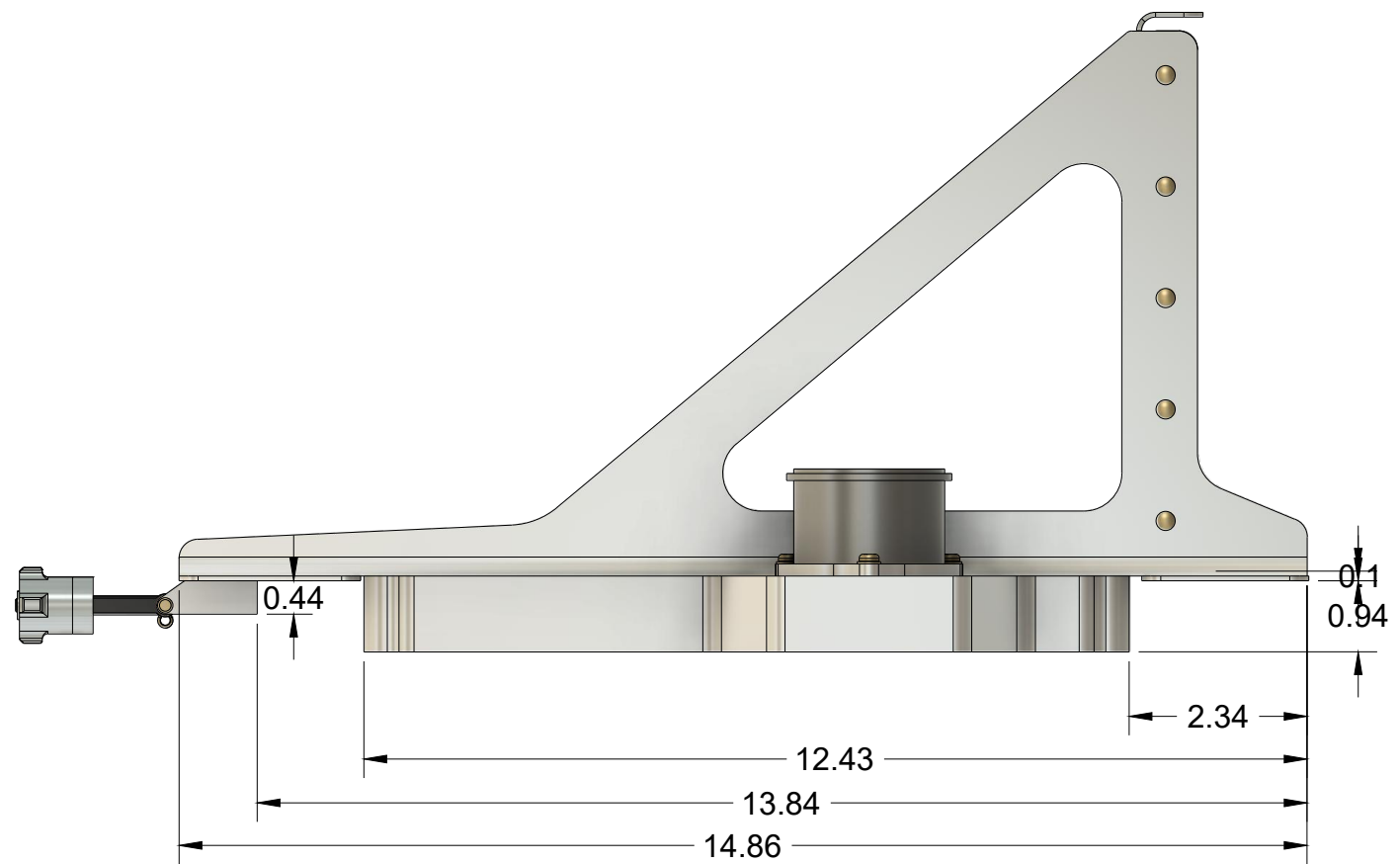
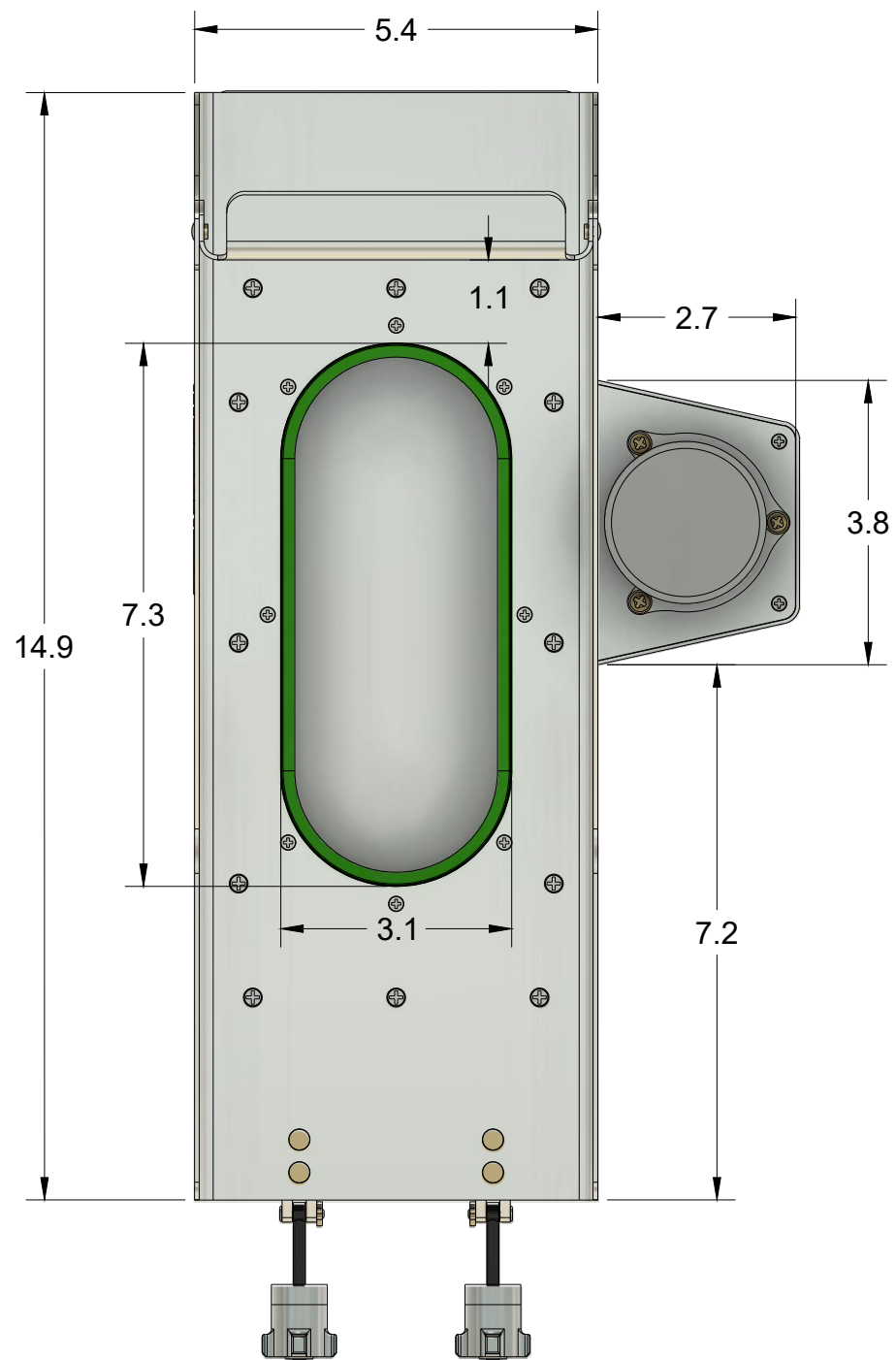
PROJECT: ARINC 600 TRAY 4MCU SIDE MOUNT FAN
--




APPROVED:  NOAH SCHULTZ
--

TITLE: DB01-408-01 OUTLINE DRAWING	SHEET: 1/2
--	---------------

DRAWING NO: 210324003	REV: 1
--------------------------	-----------



PROJECT:		 LEHIGH VALLEY, PA
ARINC 600 TRAY 4MCU SIDE MOUNT FAN		
APPROVED:		
SEE SHEET 1		
TITLE:		SHEET:
DB01-408-01 OUTLINE DRAWING		2/2
DRAWING NO:		REV:
210324003		1