

DB01-407-01 SPECIFICATIONS

REV	REVISION DESCRIPTION	DATE	BY
0	INITIAL RELEASE, HARDWARE VERSION 0	03/08/21	NJS

MATERIAL:

TRAY: 0.063" ALCLAD 2024-T3 MEETING AMS-QQ-A-250/5

PLENUM: 1" 6061-T6511 MEETING AMS-QQ-A-200/8

FINISH:

CONVERSION COATING PER MIL-DTL-81706

DESIGN:

4MCU DIMENSIONS PER ARINC 600

FAN INCLUDED, SEE BELOW

SOLID RIVETED CONSTRUCTION

SINGLE PIECE MILLED ALUMINUM PLENUM

MOUNTING HOLES NOT DRILLED

LOCKING LRU HOLD-DOWN PER M85731

WEIGHT: 3.2 POUNDS

SUPPORT:

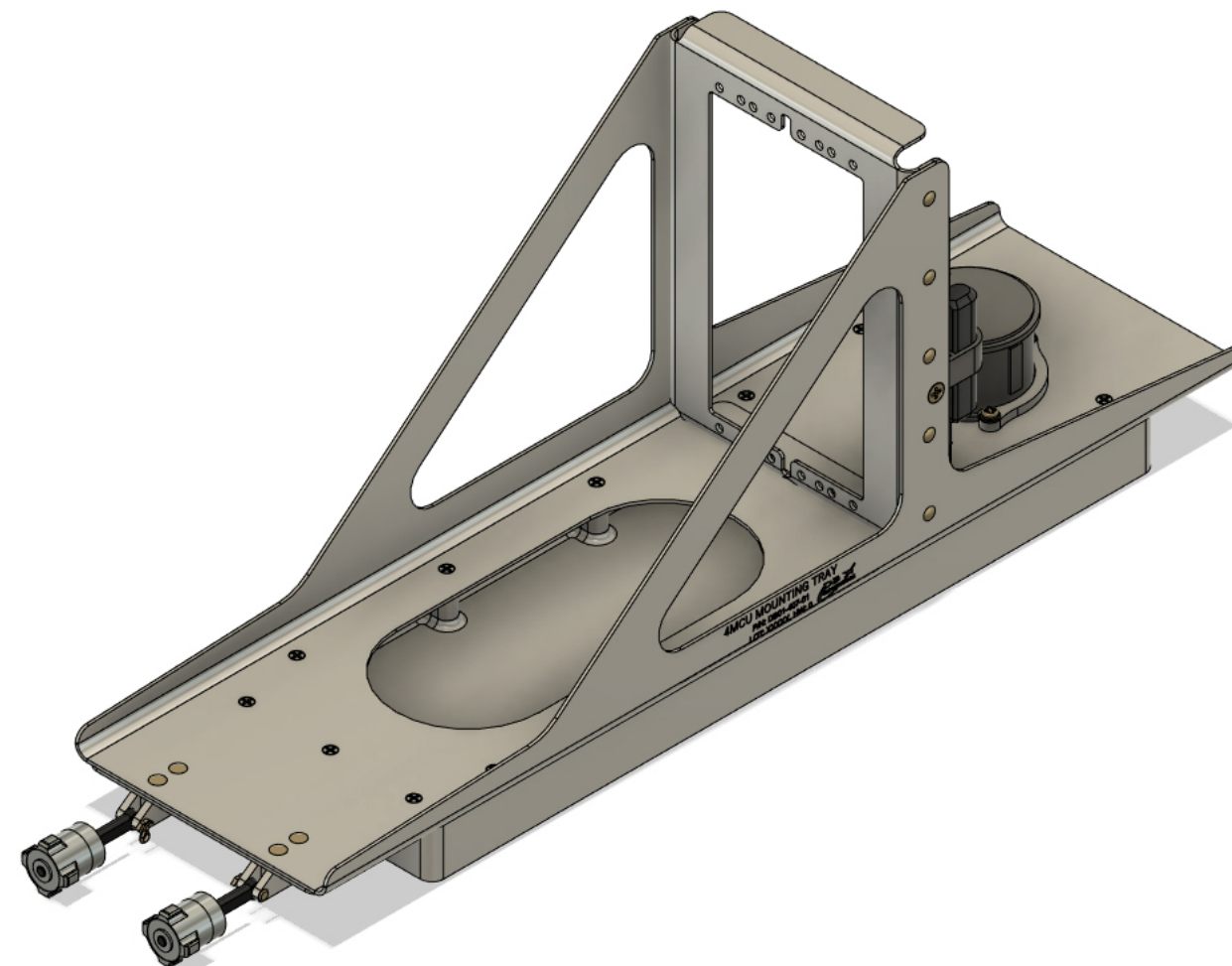
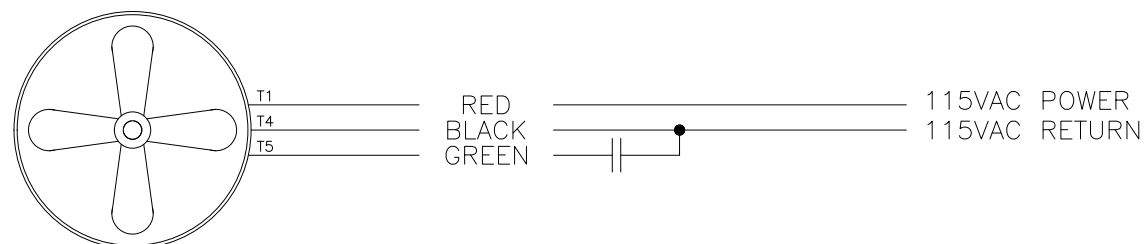
3D MODELING AVAILABLE

FAN INFORMATION:

FAN P/N: 026949000

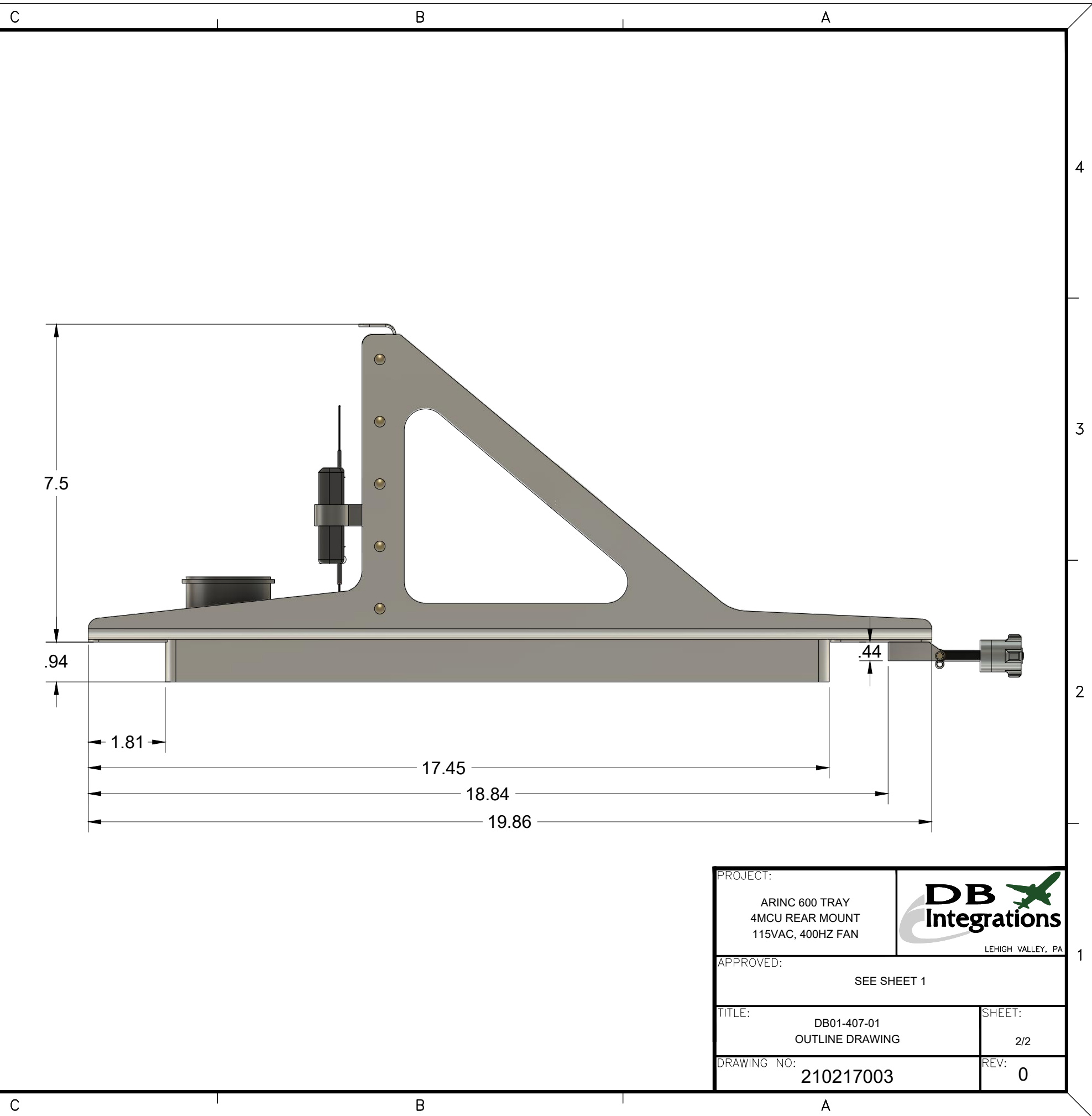
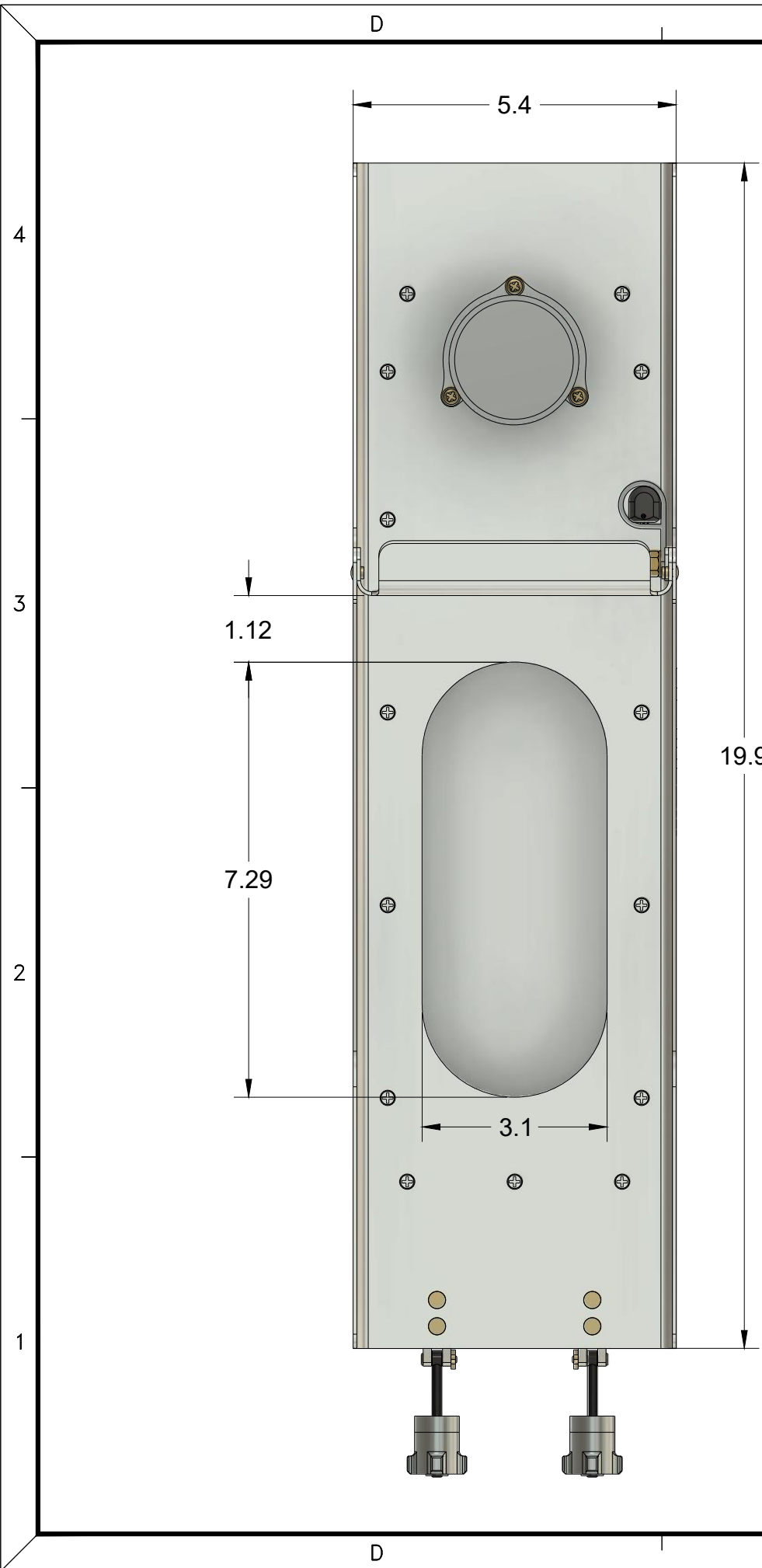
FAN SPECIFICATIONS: 56CFM, 115VAC, 36 NOMINAL WATTS


FAN INTERFACE: CAPACITOR INCLUDED WITH +24" M22759 LEADS



TOLERANCES: X = ± 1.000
.X = ± 0.100
.XX = ± 0.030
.XXX = ± 0.010
ANGLES = ± 2.000
FRACTION = ± 1/32

PROJECT: ARINC 600 TRAY 4MCU REAR MOUNT 115VAC, 400HZ FAN		 LEHIGH VALLEY, PA
APPROVED: 		
TITLE: DB01-407-01 OUTLINE DRAWING	SHEET: 1/2	
DRAWING NO: 210217003	REV: 0	



PROJECT:		 LEHIGH VALLEY, PA
ARING 600 TRAY 4MCU REAR MOUNT 115VAC, 400HZ FAN		
APPROVED:		
SEE SHEET 1		
TITLE:		SHEET:
DB01-407-01 OUTLINE DRAWING		2/2
DRAWING NO:		REV:
210217003		0