

DB01-406-01 SPECIFICATIONS

MATERIAL:

TRAY: .063" AL 2024-T3 MEETING AMS-QQ-A-250/5
 PLENUM: 1" 6061-T6511 MEETING AMS-QQ-A-200/8

FINISH:

CONVERSION COATING PER MIL-DTL-81706

DESIGN:

MODIFIED 1/2 ATR ARINC 404A TRAY
 FLOATING GUIDE PINS FOR SECURE AND EVEN LRU MOUNTING
 LOCKING LRU HOLD-DOWNS PER M85731
 MOUNTING HOLES NOT DRILLED
 ADAPTER WEIGHT: 2.8 POUNDS (ESTIMATE)

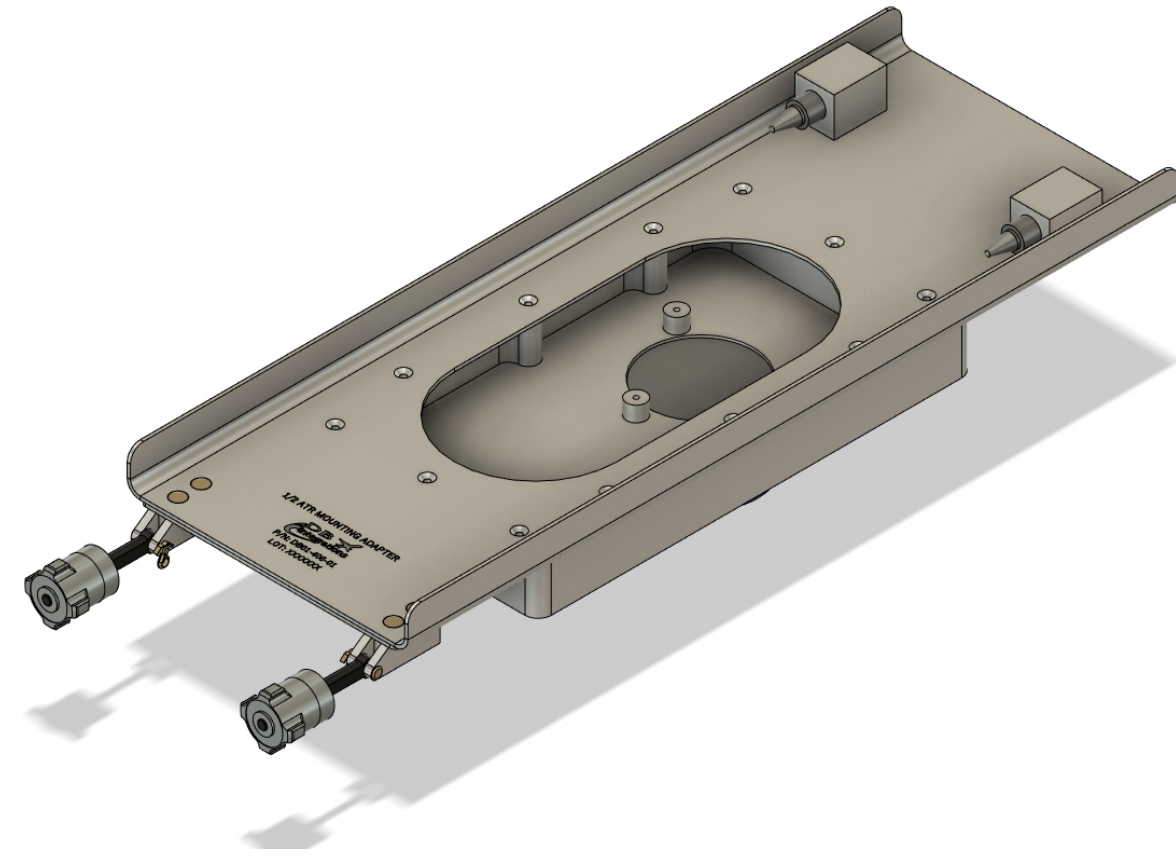
SUPPORT:

3D MODELING AVAILABLE



FAN INFORMATION:

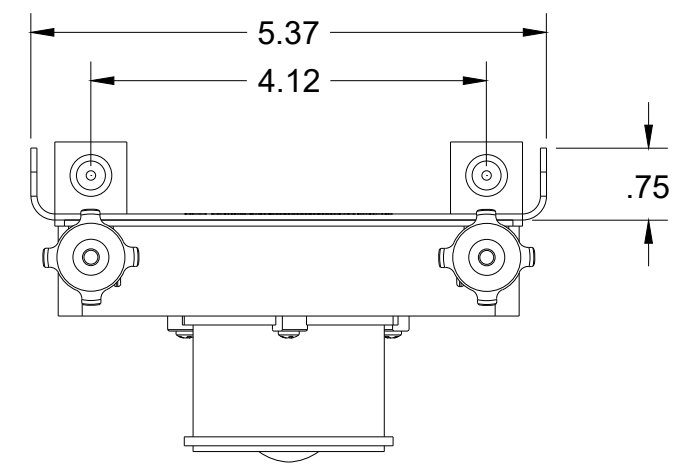
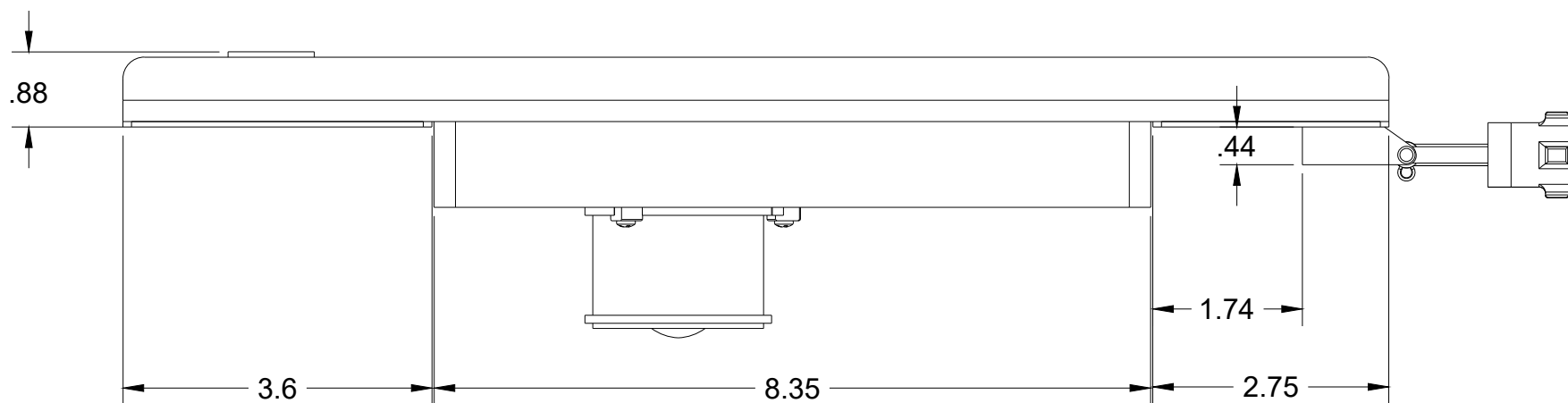
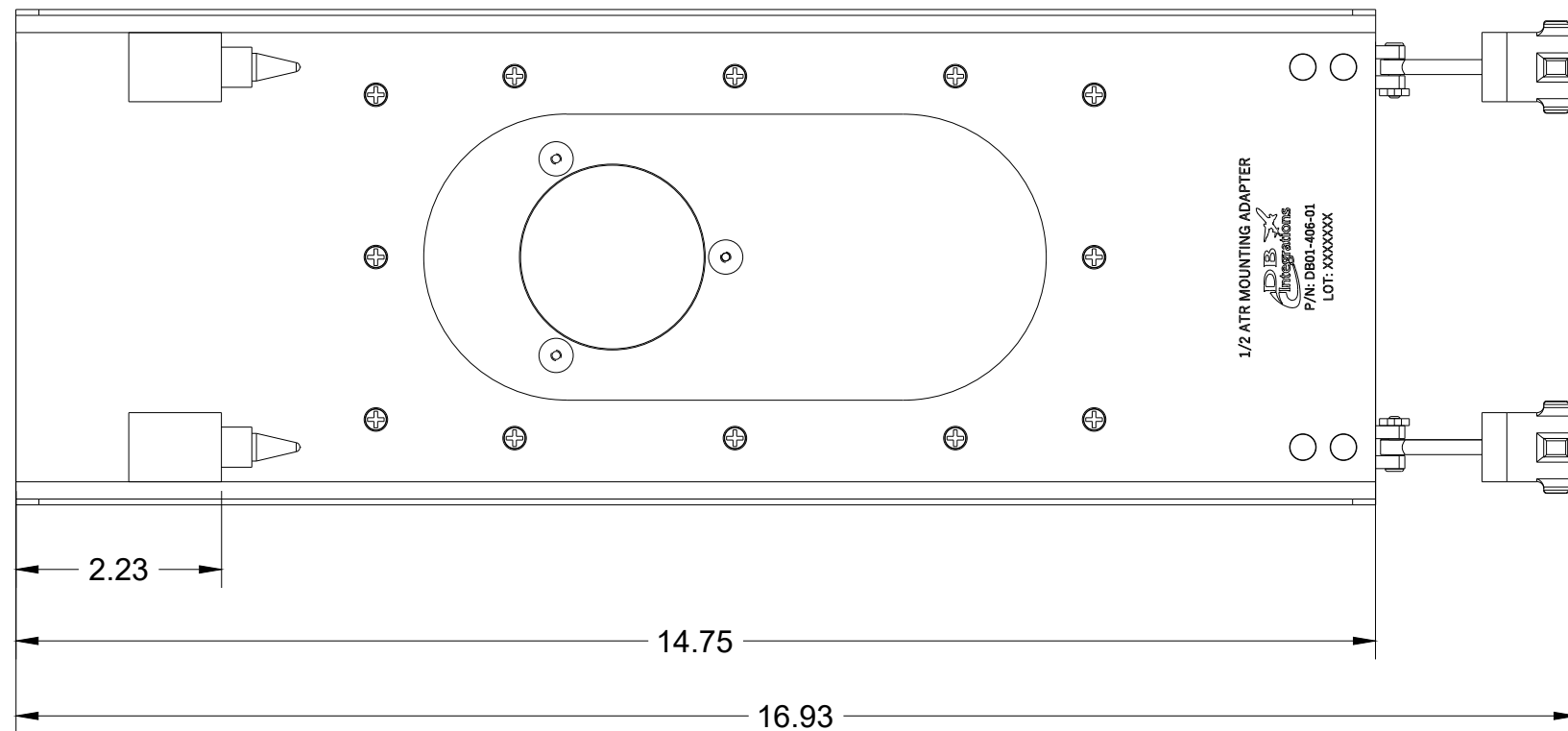
P/N: 00001109
 SPECIFICATIONS: 53CFM, 28VDC, 1.55 NOMINAL AMPS
 INTERFACE: BUILT-IN +12" LEADS

REV	REVISION DESCRIPTION	DATE	BY
0	INITIAL RELEASE, HARDWARE VERSION 0	09/25/20	NJS




TOLERANCES: X = ± 1.000
 .X = ± 0.100
 .XX = ± 0.030
 .XXX = ± 0.010
 ANGLES = ± 2.000
 FRACTION = ± 1/32

PROJECT: 1/2 ATR RG-MODMAN MOUNTING TRAY		 LEHIGH VALLEY, PA
APPROVED:  BRET GILLIGAN		
TITLE: DB01-406-01 OUTLINE DRAWING	SHEET: 1/2	
DRAWING NO: 200922003	REV: 0	



DB01-406-01 OVERVIEW

PROJECT: 1/2 ATR RG-MODMAN MOUNTING TRAY		 LEHIGH VALLEY, PA
APPROVED: SEE SHEET 1		
TITLE: DB01-406-01 OUTLINE DRAWING	SHEET: 2/2	
DRAWING NO: 200922003	REV: 0	