

DB01-405-01 SPECIFICATIONS

MATERIAL:

SHEET: ALUMINUM 2024-T3

PLATE: ALUMINUM 6061-T6XXX

PINS: STAINLESS STEEL 17-4, TEMPER H900

FINISH:

CONVERSION COATING PER MIL-DTL-81706

DESIGN:

MODIFIED 4MCU ARINC 600 TRAY FOR LASEREF IV IRU
 REAR MOUNTED FAN AND FILTER WITH GASKETED METERING PLATE
 PHENOLIC SLIDE RAILS MOUNTED TO TRAY BASEPLATE
 SINGLE PIECE MACHINED ALUMINUM PLENUM
 SINGLE PIECE MACHINED ALUMINUM BACKPLANE
 MOUNTING HOLES ALLOW +/-3 DEGREES ROTATION
 LOCKING LRU HOLD-DOWN PER M85731
 ADAPTER WEIGHT: 4.3 POUNDS
 METERING PLATE AND GASKET INCLUDED

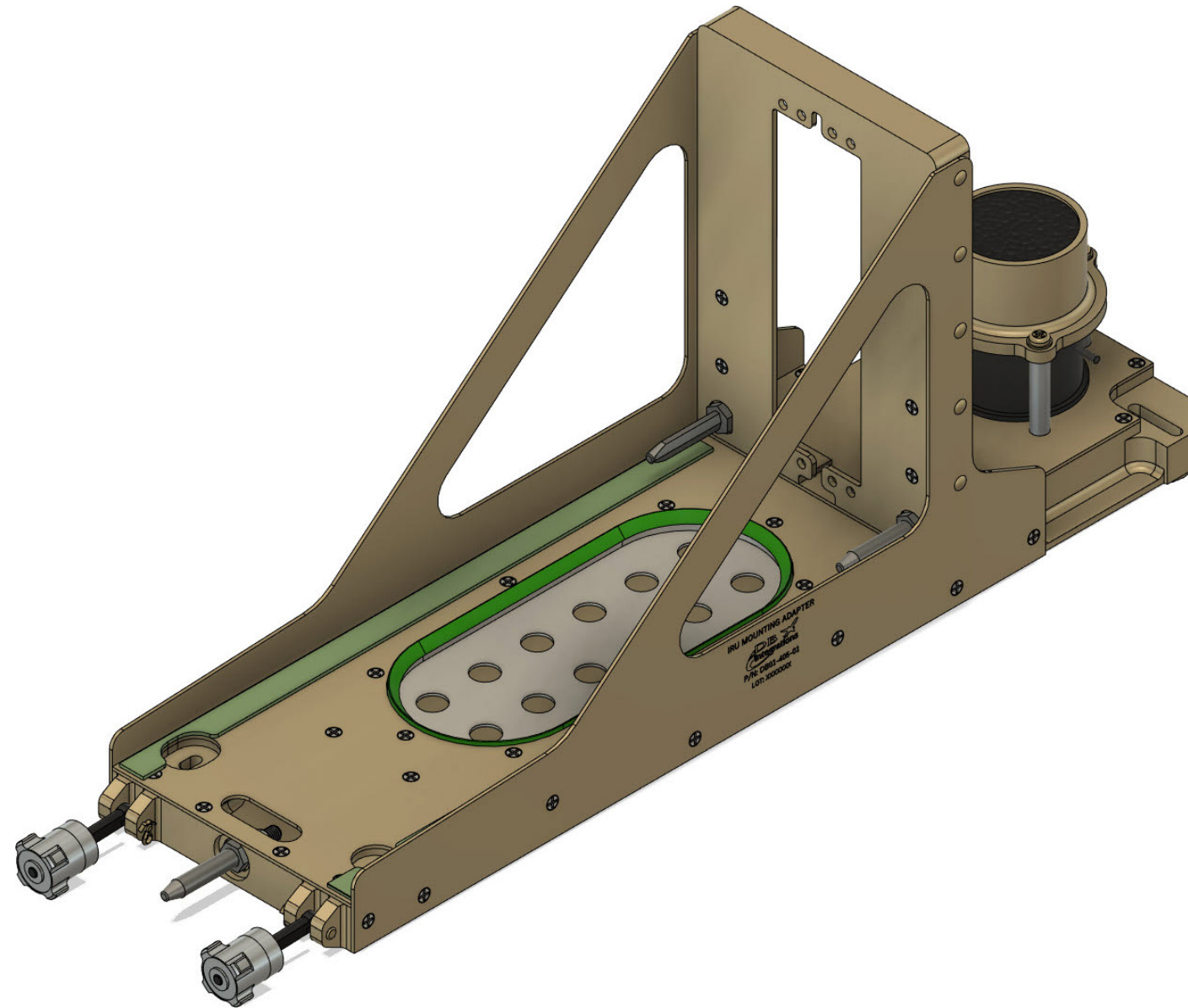
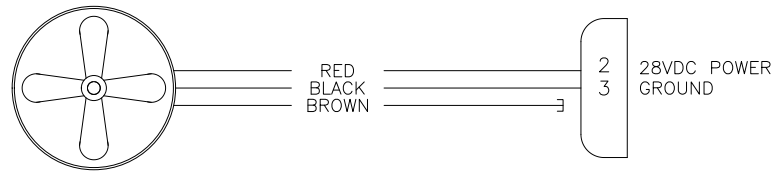
SUPPORT:

3D MODELING AVAILABLE

FAN INFORMATION:


FAN SPECIFICATIONS: 52CFM, 28VDC, 1.5 NOMINAL AMPS

FAN INTERFACE: +15" LEADS TERMINATED WITH P/N: M7PLSH9C

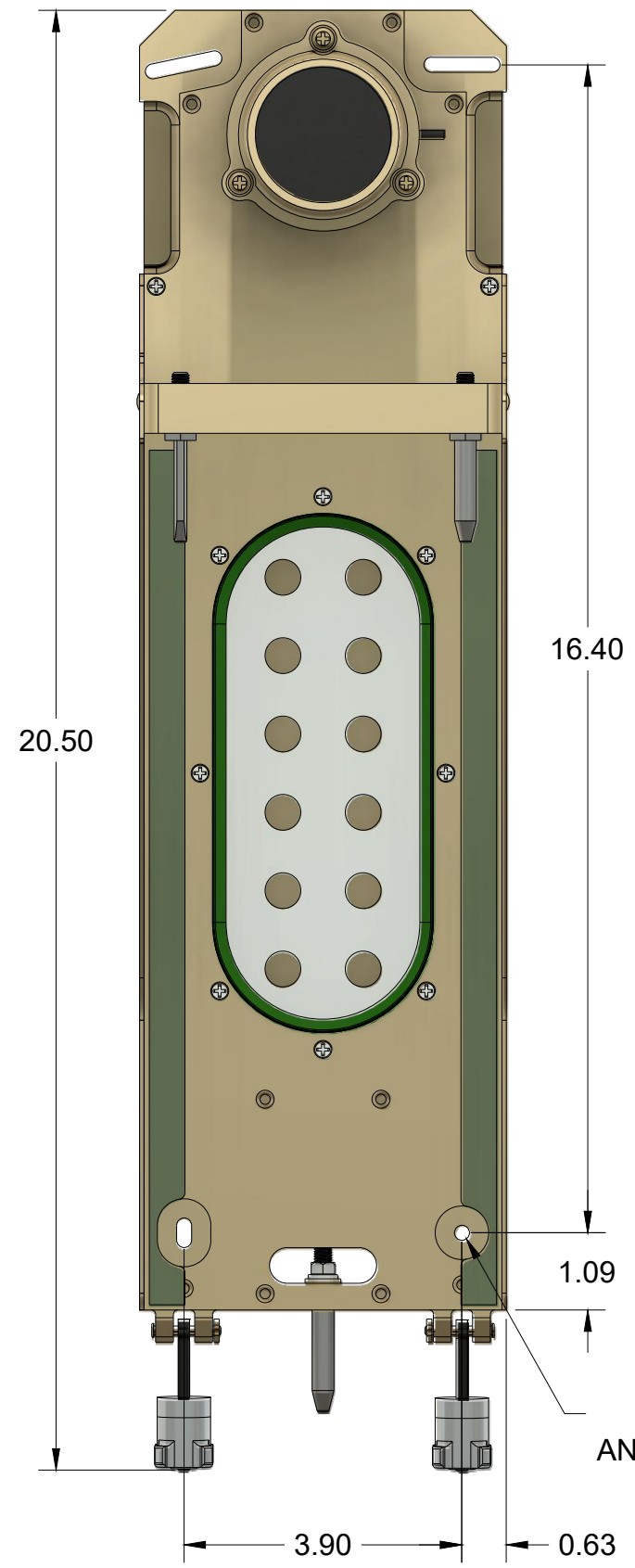


REV:	REVISION DESCRIPTION:	DATE:
0	INITIAL RELEASE	02/10/20
1	CHANGES PER ECR_200128001_V0, HARDWARE VERSION 2	03/30/20
2	CHANGES PER ECR_200128003_V1, HARDWARE VERSION 2	03/09/21
2	CHANGES PER ECR_200128003_V2, HARDWARE VERSION 3	07/27/21

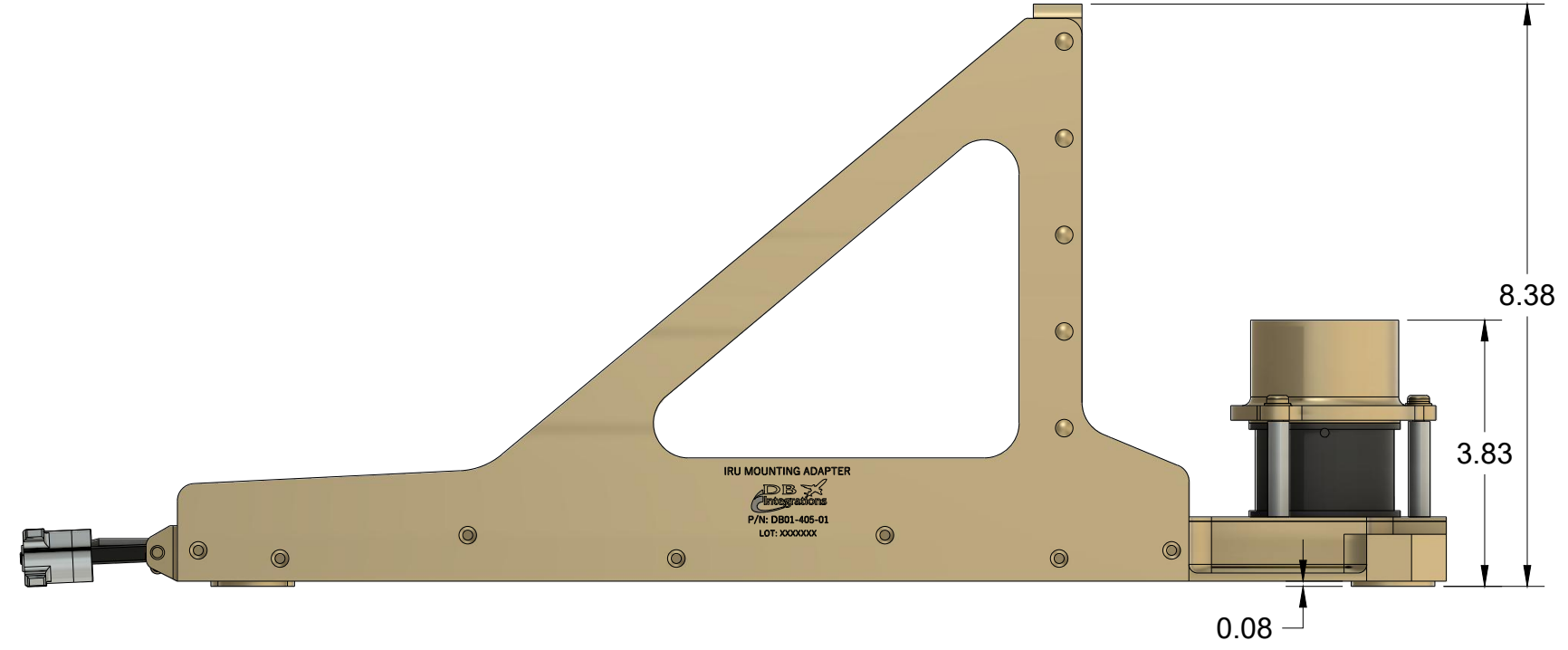
TOLERANCES: X = ±1.00
 .X = ±0.100
 .XX = ±0.030
 .XXX = ±0.010
 ANGLES = ±2.00°
 FRACTION = ±1/32

PROJECT: LASEREF IV MOUNTING ADAPTER		 LEHIGH VALLEY, PA
APPROVED: <i>Brandon Jacobsen</i> BRANDON JACOBSEN		
TITLE: DB01-405-01 OUTLINE DRAWING	SHEET: 1/2	
DRAWING NO: 200128003	REV: 3	

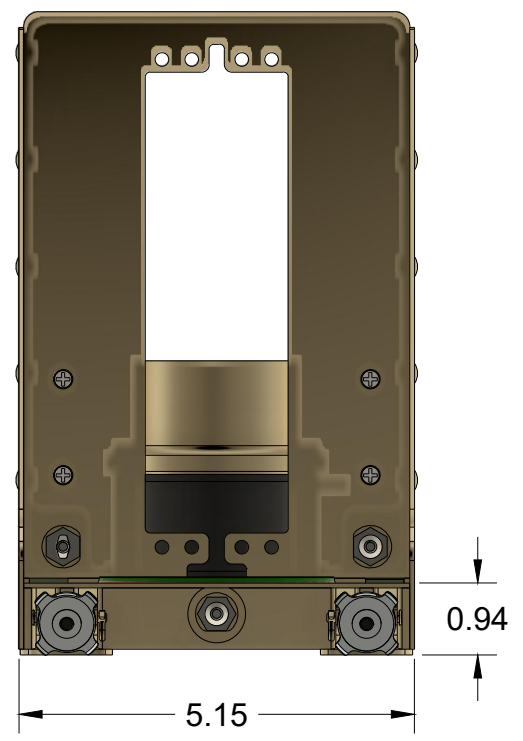
TOP VIEW




SIDE VIEW



FRONT VIEW



DB01-405-01 OVERVIEW

PROJECT: LASEREF IV MOUNTING ADAPTER		 LEHIGH VALLEY, PA
TITLE: DB01-405-01 OUTLINE DRAWING	SHEET: 2/2	
DRAWING NO: 200128003	REV: 3	