

DB01-304-01 SPECIFICATIONS

MATERIAL:

SHEET: ALUMINUM 2024-T3

FINISH:

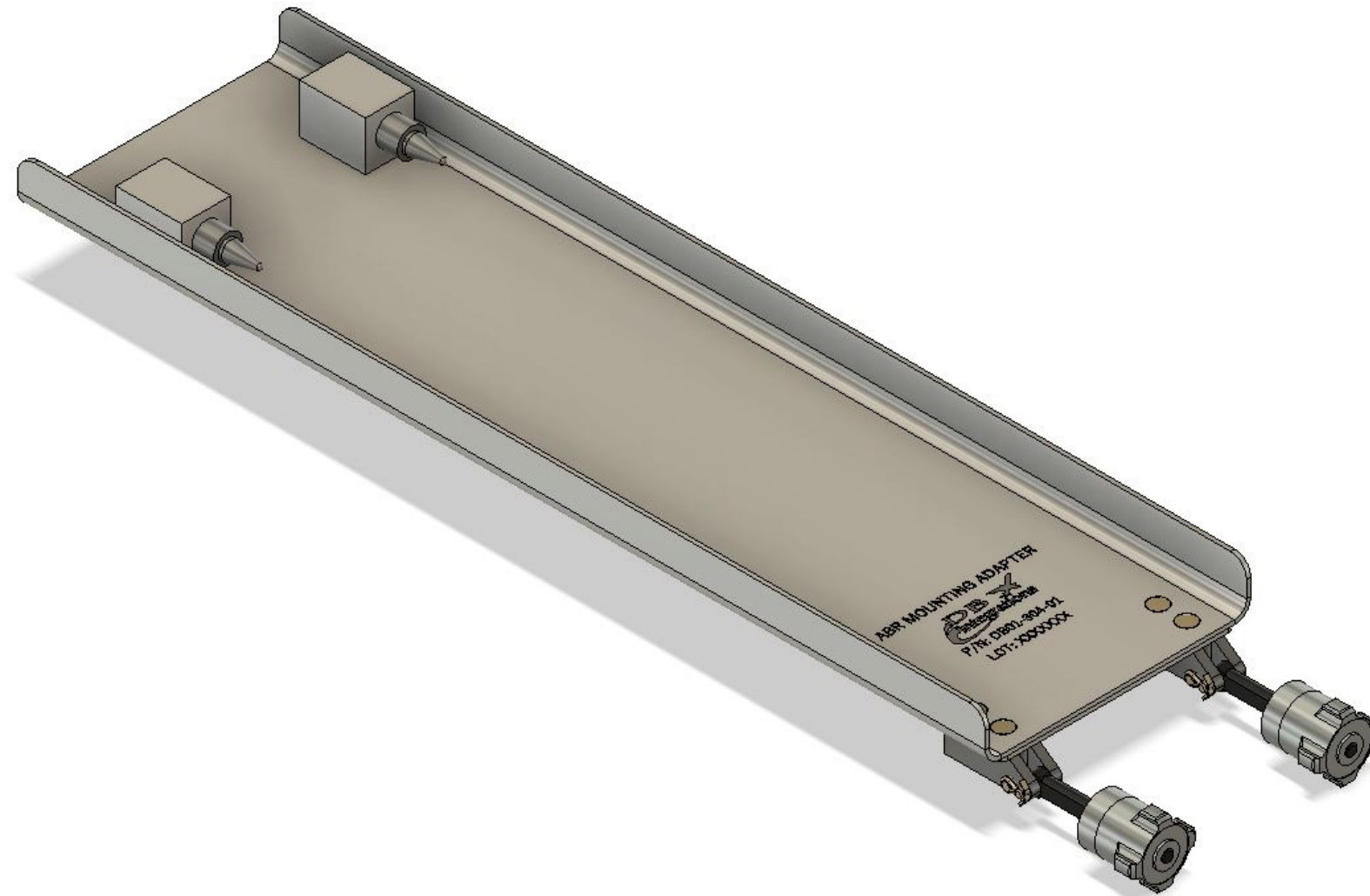
CONVERSION COATING PER MIL-DTL-81706

DESIGN:

MODIFIED 3/8 ATR ARINC 404A TRAY FOR SMARTSKY ABR
 FLOATING GUIDE PINS FOR SECURE AND EVEN LRU MOUNTING
 LOCKING LRU HOLD-DOWNS PER M85731
 ADAPTER WEIGHT: 1.0 POUND



SUPPORT:

3D MODELING AVAILABLE

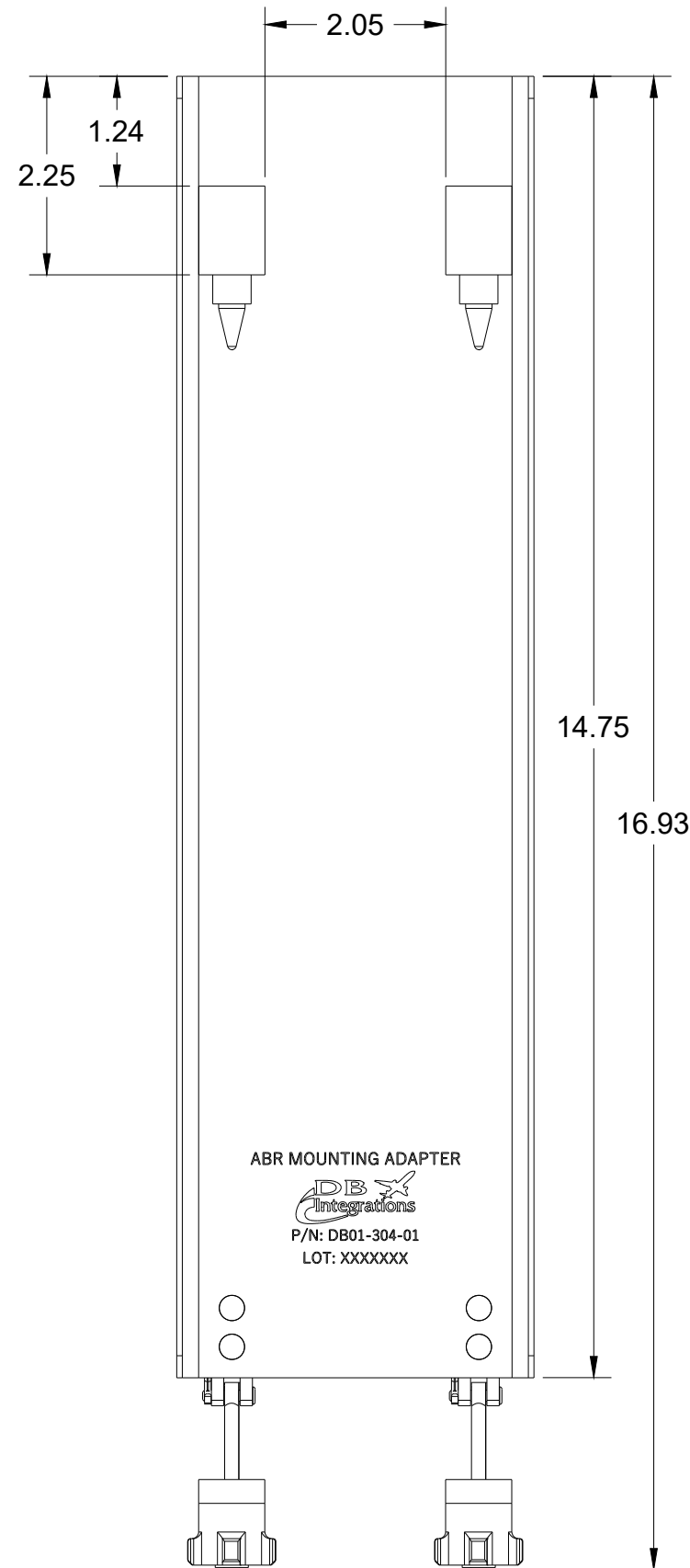


REV	REVISION DESCRIPTION	DATE	BY
0	INITIAL RELEASE	02/10/20	EVH
1	CHANGES PER ECR_200130003_V0	03/15/22	NJS

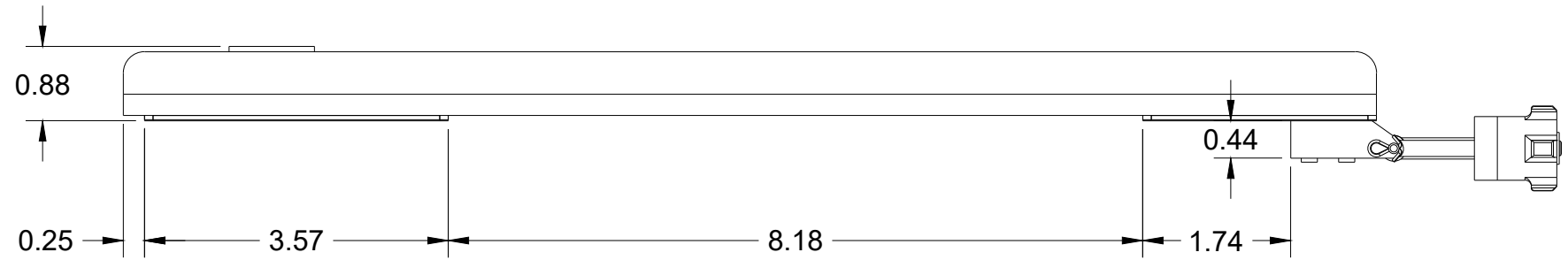
TOLERANCES: X = ± 1.000 .X = ± 0.100 .XX = ± 0.030 .XXX = ± 0.010 ANGLES = ± 2.000 FRACTION = ± 1/32

PROJECT: SMARSKY ABR MOUNTING ADAPTER	 LEHIGH VALLEY, PA
APPROVED:  NOAH SCHULTZ	
TITLE: DB01-304-01 OUTLINE DRAWING	SHEET: 1/2
DRAWING NO: 200130003	REV: 1

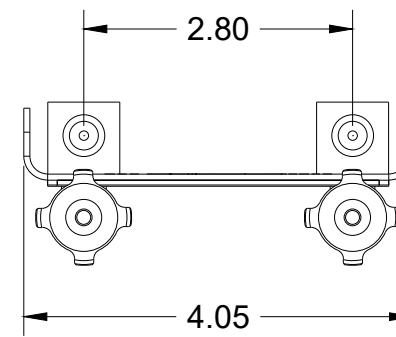
TOP VIEW




FRONT VIEW



SIDE VIEW



DB01-304-01 OVERVIEW

PROJECT: SMARTSKY ABR MOUNTING ADAPTER		 LEHIGH VALLEY, PA
TITLE: DB01-304-01 OUTLINE DRAWING		
DRAWING NO: 200130003		REV: 1