

DB01-302-01 SPECIFICATIONS

MATERIAL:

TRAY: 0.063" ALCLAD 2024-T3 MEETING AMS-QQ-A-250/5

PLENUM: 1" 6061-T6511 MEETING AMS-QQ-A-200/8

FINISH:

CONVERSION COATING PER MIL-DTL-81706

DESIGN:

3MCU DIMENSIONS PER ARINC 600

FAN INCLUDED, SEE BELOW

SILICONE GASKET INCLUDED

SOLID RIVETED CONSTRUCTION

SINGLE PIECE MILLED ALUMINUM PLENUM

MOUNTING HOLES NOT DRILLED

LOCKING LRU HOLD-DOWN PER M85731

WEIGHT: 3.1 POUNDS

ENVIRONMENTAL:

ALTITUDE PER DO-160, SECTION 4, CATEGORY F2 (55,000 FEET)

TEMPERATURE PER DO-160, SECTION 5, CATEGORY A (-55° C TO +85° C)

HUMIDITY PER DO-160, SECTION 6, CATEGORY C

OPERATIONAL SHOCK AND CRASH SAFETY PER DO-160, SECTION 7, CATEGORY A AND B (20G) (HELICOPTER AND FIXED WING)

STATIC LOAD PER PART 25 AND 29 CATEGORIES, 10.0KG LRU

VIBRATION PER DO-160, SECTION 8, CATEGORY R, CURVE C1

VIBRATION PER DO-160, SECTION 8, CATEGORY S, CURVE B3

VIBRATION PER DO-160, SECTION 8, CATEGORY U2, CURVES F AND F1

FLUIDS SUSCEPTIBILITY TESTED PER DO-160, SECTION 11, CATEGORY F
 SKYDROL, CALLA 800, SAE AMS1424 TYPE 1, SAE AMS 1435C,
 CALLINGTON HAVEN 1-SHOT, HALON 1211

SAND AND DUST PER DO-160, SECTION 12, CATEGORY D (DUST)

SALT SPRAY PER DO-160, SECTION 14, CATEGORY S

FUNGUS PER DO-160, SECTION 13, CATEGORY F

ICING PER DO-160, SECTION 24, CATEGORY C (.5" HARD ICE)

FIRE AND FLAMMABILITY PER DO-160, SECTION 26, CATEGORY C

SUPPORT:

3D MODELING AVAILABLE

FAN INFORMATION:

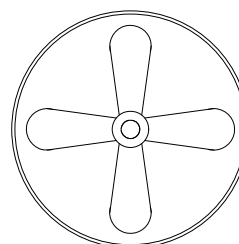
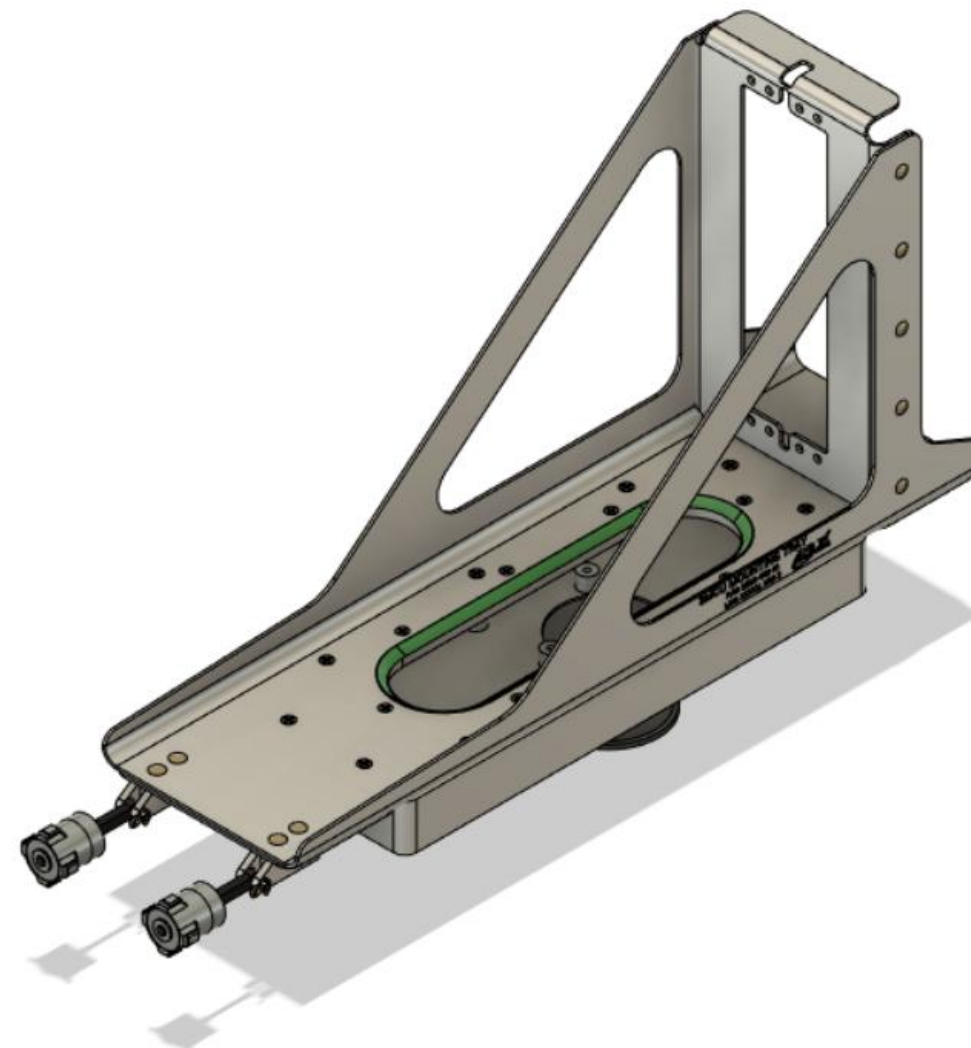
P/N: 011372000

FAN SPECIFICATIONS: 55CFM, 28VDC, 1.5 NOMINAL AMPS
 FAN INTERFACE: BUILT-IN +12" LEADS

P/N: 00001109

FAN SPECIFICATIONS: 53CFM, 28VDC, 1.55 NOMINAL AMPS
 FAN INTERFACE: BUILT-IN +12" LEADS

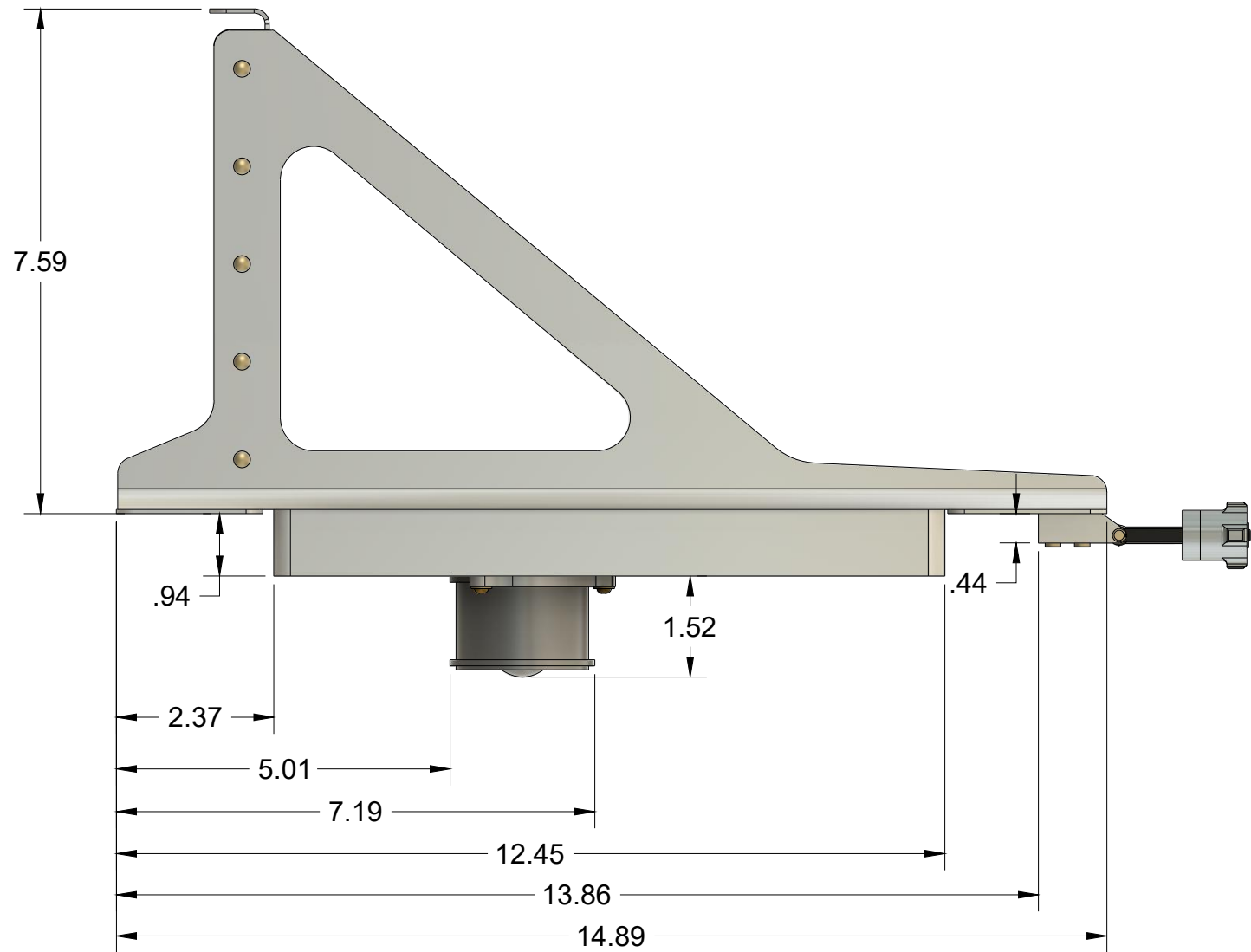
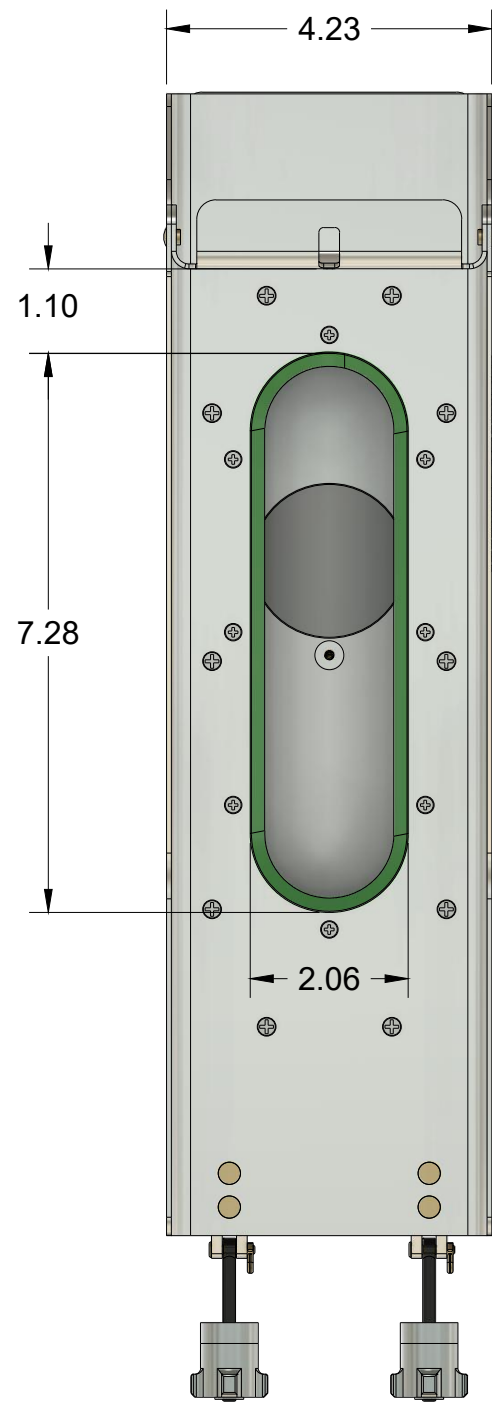
REV	REVISION DESCRIPTION	DATE	BY
0	INITIAL RELEASE, HARDWARE VERSION 1	06/26/18	BGG
1	ADDED SECONDARY FAN OPTION, HARDWARE VERSION 1	03/28/19	BGG
2	CHANGES PER ECR_180315003_V2, HARDWARE VERSION 2	05/26/23	NJS




BROWN ———— FPS SIGNAL
 BLACK ———— 28VDC RETURN
 RED ———— 28VDC POWER

TOLERANCES: X = ± 1.000 .X = ± 0.100 .XX = ± 0.030 .XXX = ± 0.010 ANGLES = ± 2.000 FRACTION = ± 1/32

PROJECT: ARINC 600 3MCU TRAY 28VDC FAN BOTTOM MOUNT	 LEHIGH VALLEY, PA
APPROVED: NOAH SCHULTZ	
TITLE: DB01-302-01 OUTLINE DRAWING	SHEET: 1/2
DRAWING NO: 180315004	REV: 2



PROJECT: ARINC 600 3MCU TRAY 28VDC FAN BOTTOM MOUNT		 LEHIGH VALLEY, PA
APPROVED: SEE SHEET 1		
TITLE: DB01-302-01 OUTLINE DRAWING	SHEET: 2/2	
DRAWING NO: 180315004	REV: 2	