

DB01-209-01 SPECIFICATIONS

REV	REVISION DESCRIPTION	DATE	BY
P1	INITIAL RELEASE, HARDWARE VERSION 0	09/26/22	BSJ

MATERIAL:

TRAY: 0.063" ALCLAD 2024-T3 MEETING AMS-QQ-A-250/5

PLENUM: 1" 6061-T6511 MEETING AMS-QQ-A-200/8

FINISH:

CONVERSION COATING PER MIL-DTL-81706

DESIGN:

2MCU DIMENSIONS PER ARINC 600

FAN INCLUDED, SEE BELOW

SILICONE GASKET INCLUDED

SOLID RIVETED CONSTRUCTION

SINGLE PIECE MILLED ALUMINUM PLENUM

MOUNTING HOLES NOT DRILLED

LOCKING LRU HOLD-DOWN PER M85731

WEIGHT: 2.5 POUNDS

ENVIRONMENTAL:

ALTITUDE PER DO-160, SECTION 4, CATEGORY F2 (55,000 FEET)

TEMPERATURE PER DO-160, SECTION 5, CATEGORY A (-55° C TO +85° C)

HUMIDITY PER DO-160, SECTION 6, CATEGORY C

OPERATIONAL SHOCK AND CRASH SAFETY PER DO-160, SECTION 7, CATEGORY A AND B (20G) (HELICOPTER AND FIXED WING)

STATIC LOAD PER PART 25 AND 29 CATEGORIES, 10.0KG LRU

VIBRATION PER DO-160, SECTION 8, CATEGORY R, CURVE C1

VIBRATION PER DO-160, SECTION 8, CATEGORY S, CURVE B3

VIBRATION PER DO-160, SECTION 8, CATEGORY U2, CURVES F AND F1

FLUIDS SUSCEPTIBILITY TESTED PER DO-160, SECTION 11, CATEGORY F
SKYDROL, CALLA 800, SAE AMS1424 TYPE 1, SAE AMS 1435C,
CALLINGTON HAVEN 1-SHOT, HALON 1211

SAND AND DUST PER DO-160, SECTION 12, CATEGORY D (DUST)

SALT SPRAY PER DO-160, SECTION 14, CATEGORY S

FUNGUS PER DO-160, SECTION 13, CATEGORY F

ICING PER DO-160, SECTION 24, CATEGORY C (.5" HARD ICE)

FIRE AND FLAMMABILITY PER DO-160, SECTION 26, CATEGORY C

SUPPORT:

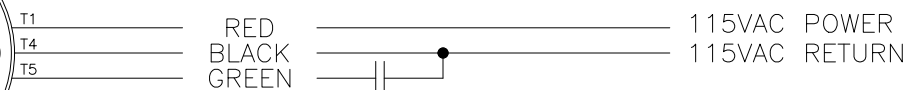
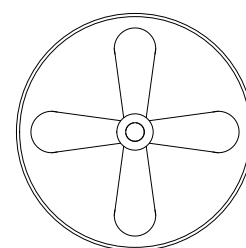
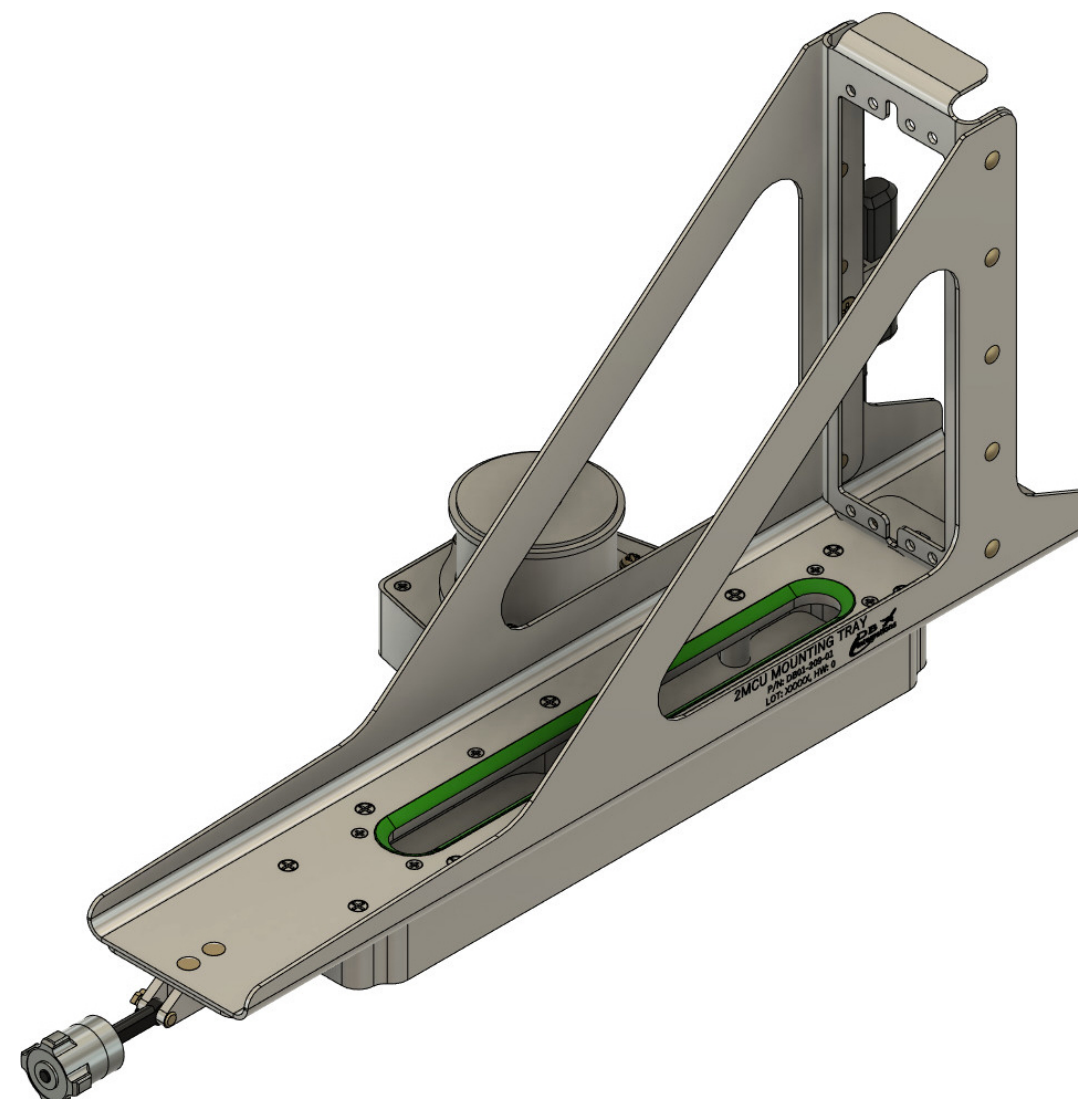
3D MODELING AVAILABLE

FAN INFORMATION:


FAN P/N: 026949000

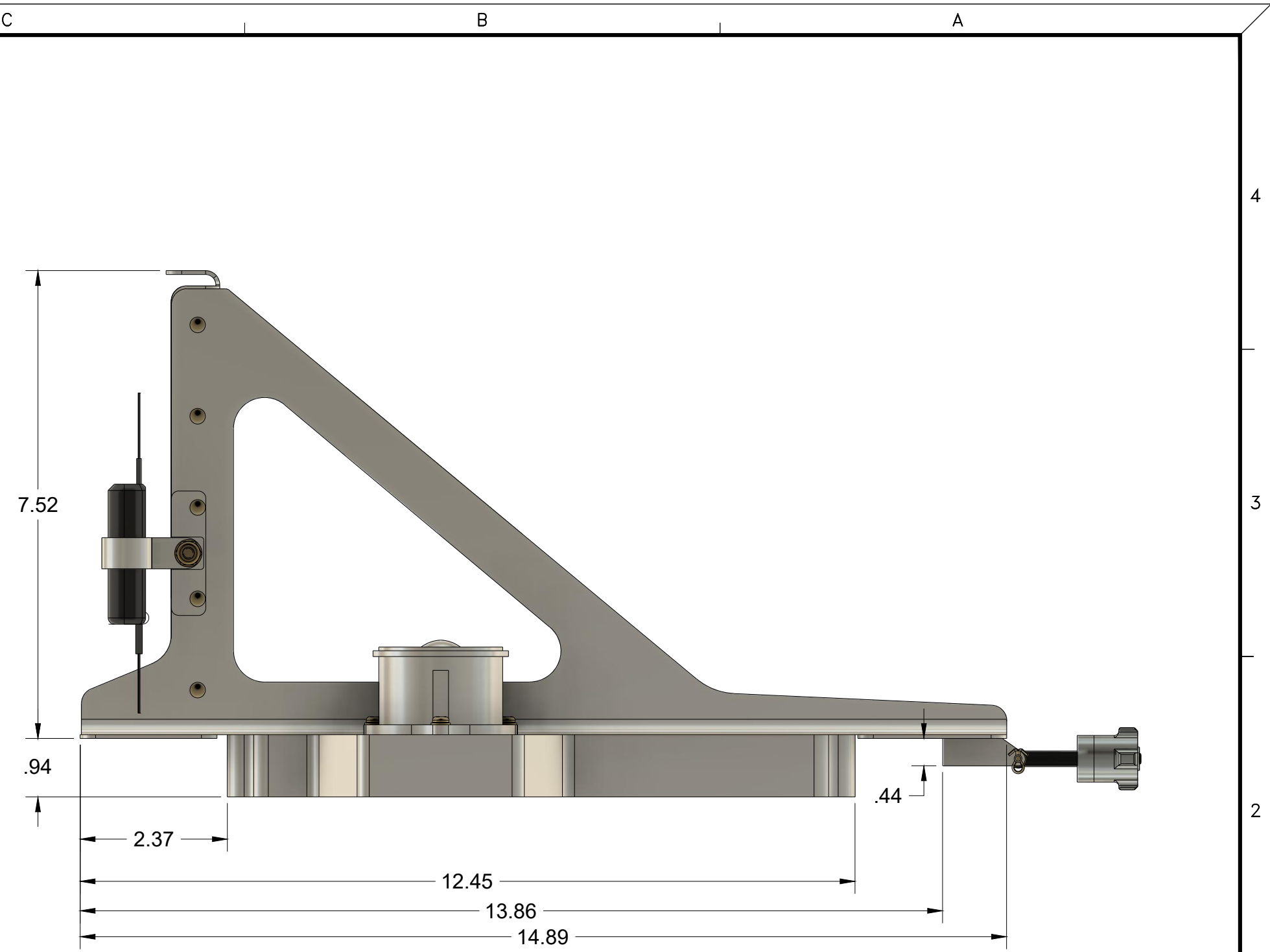
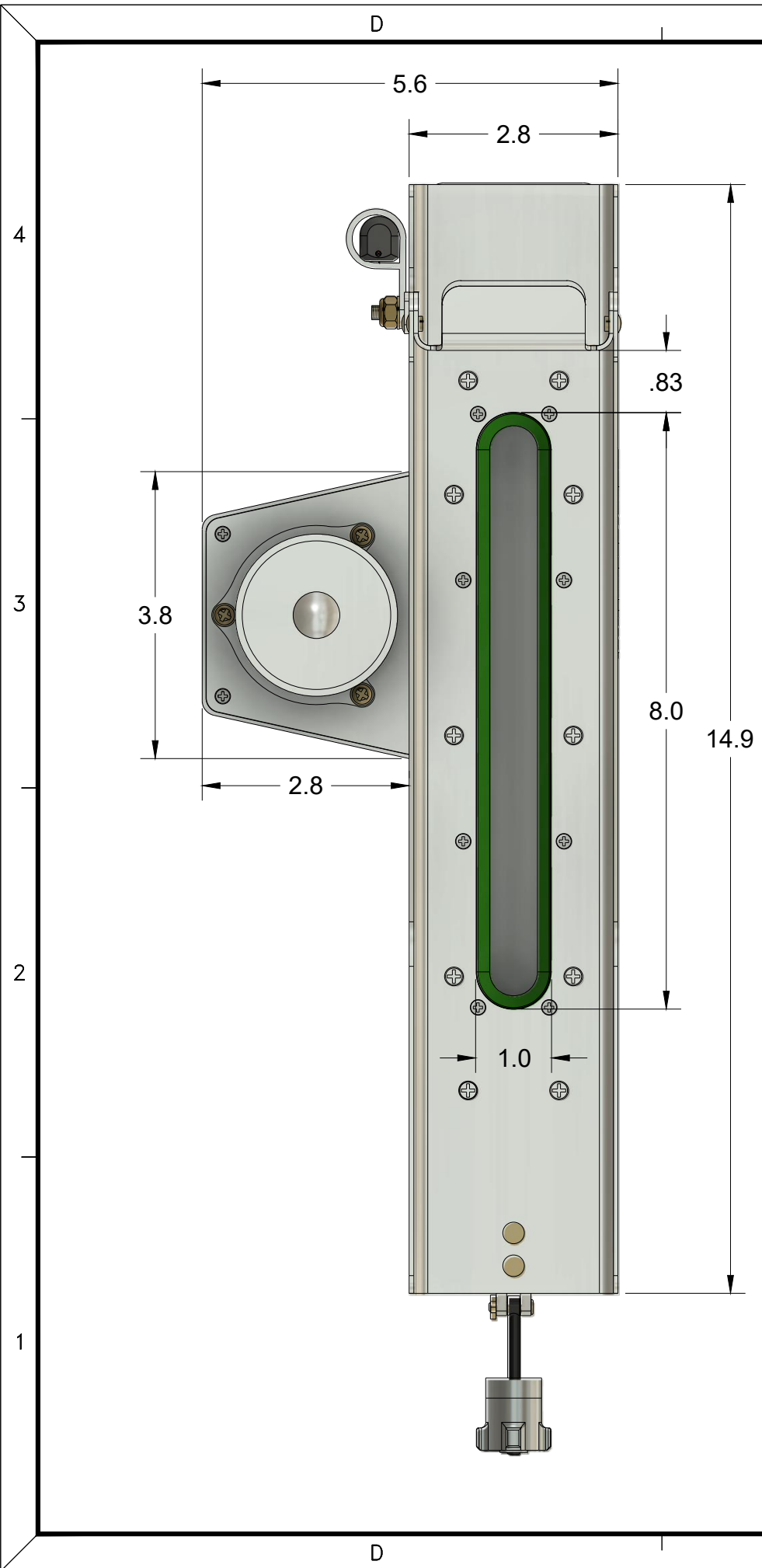
FAN SPECIFICATIONS: 56CFM, 115VAC, 36 NOMINAL WATTS


FAN INTERFACE: CAPACITOR INCLUDED WITH +24" M22759 LEADS



TOLERANCES: X = ± 1.000
.X = ± 0.100
.XX = ± 0.030
.XXX = ± 0.010
ANGLES = ± 2.000
FRACTION = ± 1/32

PROJECT: ARINC 600 TRAY 2MCU SIDE MOUNT (RIGHT) 115VAC, 400HZ FAN		 LEHIGH VALLEY, PA
APPROVED: <i>Brandon Jacobsen</i> BRANDON JACOBSEN		
TITLE: DB01-209-01 OUTLINE DRAWING	SHEET: 1/2	
DRAWING NO: 220923003	REV: P1	



PROJECT:		 LEHIGH VALLEY, PA
ARINC 600 TRAY 2MCU SIDE MOUNT (RIGHT) 115VAC, 400HZ FAN		
APPROVED:		
SEE SHEET 1		
TITLE:		SHEET:
DB01-209-01 OUTLINE DRAWING		2/2
DRAWING NO:		REV:
220923003		P1