

DB01-206-01-Q SPECIFICATIONS

MATERIAL:

TRAY: 0.063" ALCLAD 2024-T3 MEETING AMS-QQ-A-250/5

PLENUM: 1" 6061-T6511 MEETING AMS-QQ-A-200/8

FINISH:

CONVERSION COATING PER MIL-DTL-81706

DESIGN:

2MCU DIMENSIONS PER ARINC 600

FAN INCLUDED, SEE BELOW

SILICONE GASKET INCLUDED

SOLID RIVETED CONSTRUCTION

SINGLE PIECE MILLED ALUMINUM PLENUM

MOUNTING HOLES NOT DRILLED

LOCKING LRU HOLD-DOWN PER M85731

WEIGHT: 2.5 POUNDS

ENVIRONMENTAL:

ALTITUDE PER DO-160, SECTION 4, CATEGORY F2 (55,000 FEET)

TEMPERATURE PER DO-160, SECTION 5, CATEGORY A (-55° C TO +85° C)

HUMIDITY PER DO-160, SECTION 6, CATEGORY C

OPERATIONAL SHOCK AND CRASH SAFETY PER DO-160, SECTION 7, CATEGORY A AND B (20G)
(HELICOPTER AND FIXED WING)

STATIC LOAD PER PART 25 AND 29 CATEGORIES, 10.0KG LRU

VIBRATION PER DO-160, SECTION 8, CATEGORY R, CURVE C1

VIBRATION PER DO-160, SECTION 8, CATEGORY S, CURVE B3

VIBRATION PER DO-160, SECTION 8, CATEGORY U2, CURVES F AND F1

FLUIDS SUSCEPTIBILITY TESTED PER DO-160, SECTION 11, CATEGORY F
SKYDROL, CALLA 800, SAE AMS1424 TYPE 1, SAE AMS 1435C,
CALLINGTON HAVEN 1-SHOT, HALON 1211

SAND AND DUST PER DO-160, SECTION 12, CATEGORY D (DUST)

SALT SPRAY PER DO-160, SECTION 14, CATEGORY S

FUNGUS PER DO-160, SECTION 13, CATEGORY F

ICING PER DO-160, SECTION 24, CATEGORY C (.5" HARD ICE)

FIRE AND FLAMMABILITY PER DO-160, SECTION 26, CATEGORY C

SUPPORT:

3D MODELING AVAILABLE

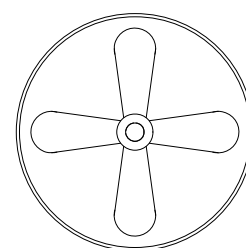
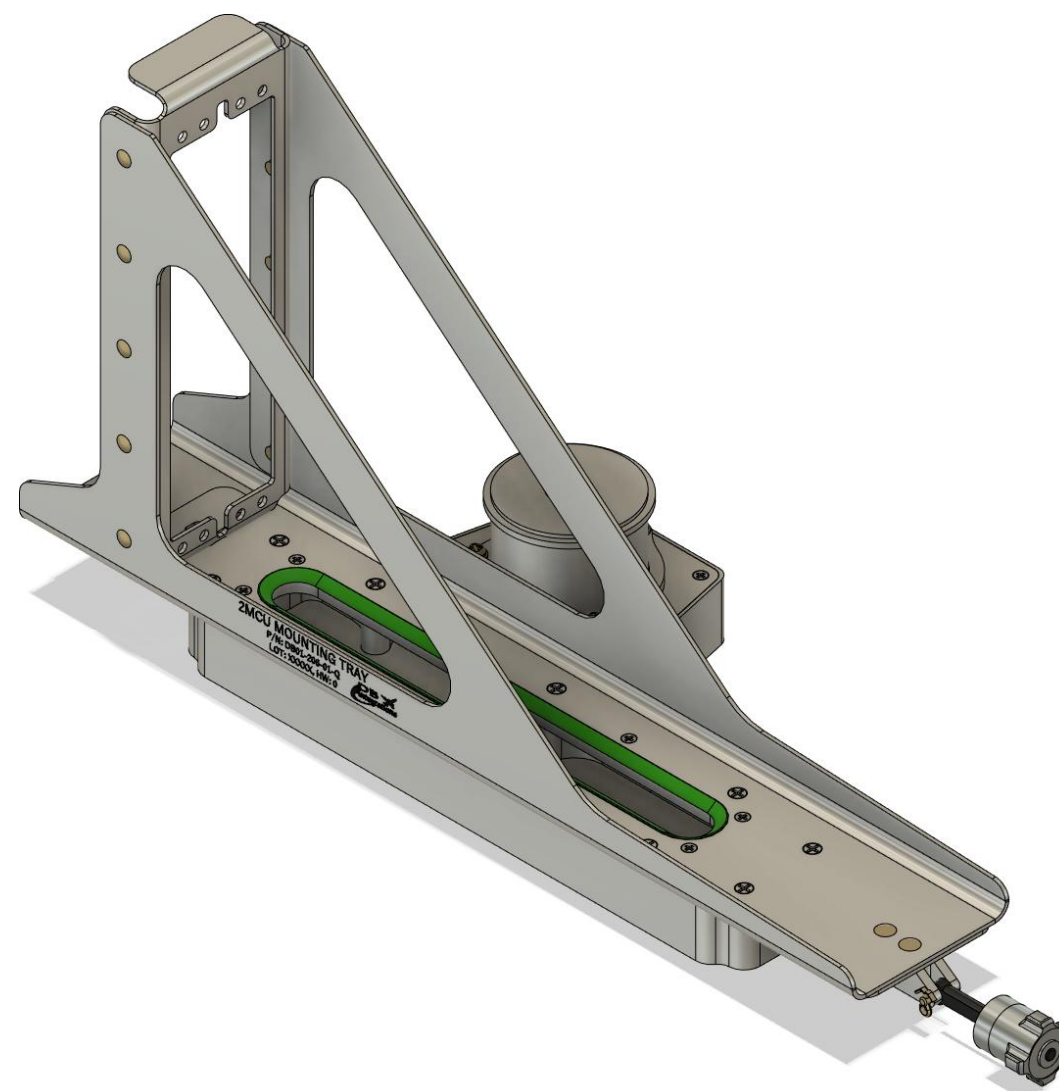
FAN INFORMATION:

FAN P/N: 00-85001375-001

FAN SPECIFICATIONS: 23CFM, 28VDC, 60DBA, 0.23 NOMINAL AMPS

FAN INTERFACE: BUILT-IN +20" M22759 LEADS

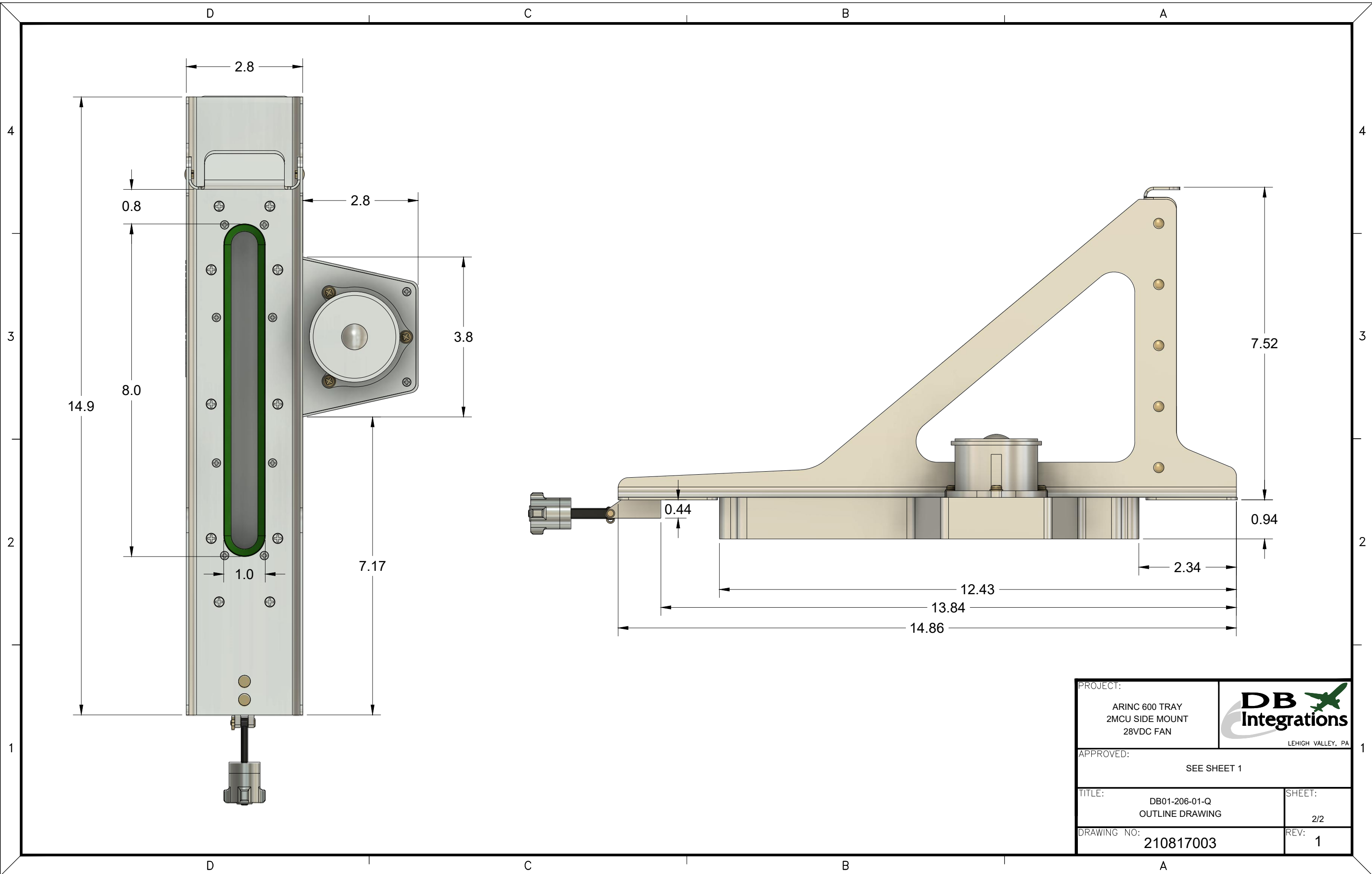
REV	REVISION DESCRIPTION	DATE	BY
0	INITIAL RELEASE, HARDWARE VERSION 0	08/17/21	BSJ
1	ADD FAN DBA VALUE TO NOTES, REMAINS HARDWARE VERSION 0	04/09/24	NJS




BROWN _____ FPS SIGNAL
 BLACK _____ 28VDC RETURN
 RED _____ 28VDC POWER

TOLERANCES: X = ± 1.000 .X = ± 0.100 .XX = ± 0.030 .XXX = ± 0.010 ANGLES = ± 2.000 FRACTION = ± 1/32

PROJECT: ARINC 600 TRAY 2MCU SIDE MOUNT 28VDC FAN	DB Integrations LEHIGH VALLEY, PA
APPROVED: <i>Noah Schultz</i>	NOAH SCHULTZ
TITLE: DB01-206-01-Q OUTLINE DRAWING	SHEET: 1/2
DRAWING NO: 210817003	REV: 1



PROJECT:		 LEHIGH VALLEY, PA
ARING 600 TRAY 2MCU SIDE MOUNT 28VDC FAN		
APPROVED:		
SEE SHEET 1		
TITLE:		SHEET:
DB01-206-01-Q OUTLINE DRAWING		2/2
DRAWING NO:		REV:
210817003		1